

***Electric motors***

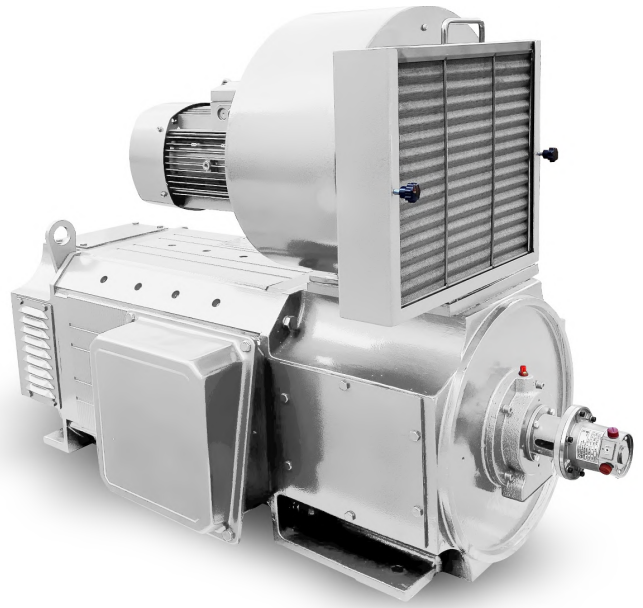
# ***DC motors of 2GDC Series***

---

Powerful, efficient and flexible...

**Technical catalogue**



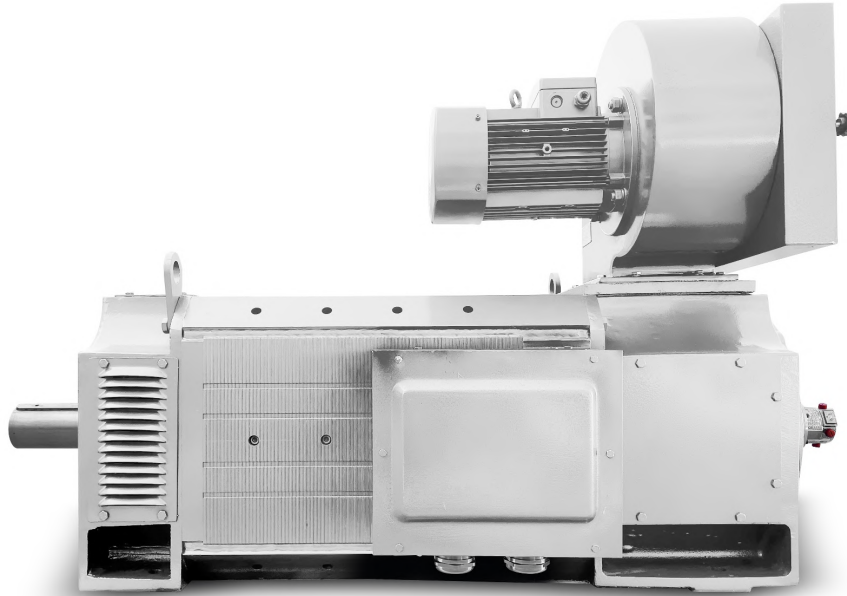


DC motors  
for all types of industry

---



# Quality management and certificates



VYBO Electric is a modern High-tech energy saving company that pays high attention to quality, environment, safety and precision and efficiency of work and energy in production. Therefore, it holds a lot of certificates and quality control systems. **Our priority is quality control.**

## Basic certificates include:

### ISO9001

The primary task of the ISO 9001 standard is to focus on system management and quality management in the organization. The satisfaction of the customer and the fulfillment of his requirements, which are specified in contracts, orders, or technical drawings, are in the first place. The quality management system is linked to all processes in the company. The standard focuses on the management of human and financial resources, on the stability of infrastructure, including buildings, transport, hardware, software and other communication or information technologies. An important part is also the planning of production and services, the management of the purchasing process, but also the management of non-conforming products.



### ISO14001

The main priority of the ISO 14001 standard is to identify and understand the environmental aspects and activities that are related to the entire infrastructure of the company and, based on this, to regulate the environmental impact on the environment.

In its scope, the ISO 14001 standard creates the conditions for determining environmental goals and plans, the fulfillment of which is examined at regular intervals by top management and also by an independent body during internal audits.

This standard is intended for all organizations and companies that consider environmental protection as their primary goal.

The benefit of the standard for society is mainly:

- control over the environmental impact on the environment
- control over produced emissions and waste
- saving material and energy
- prevention of accidents
- compliance of the company's activities with legal requirements
- zero fines for environmental behavior
- creation of a good reputation and prestige of the company



## The ISO 45001

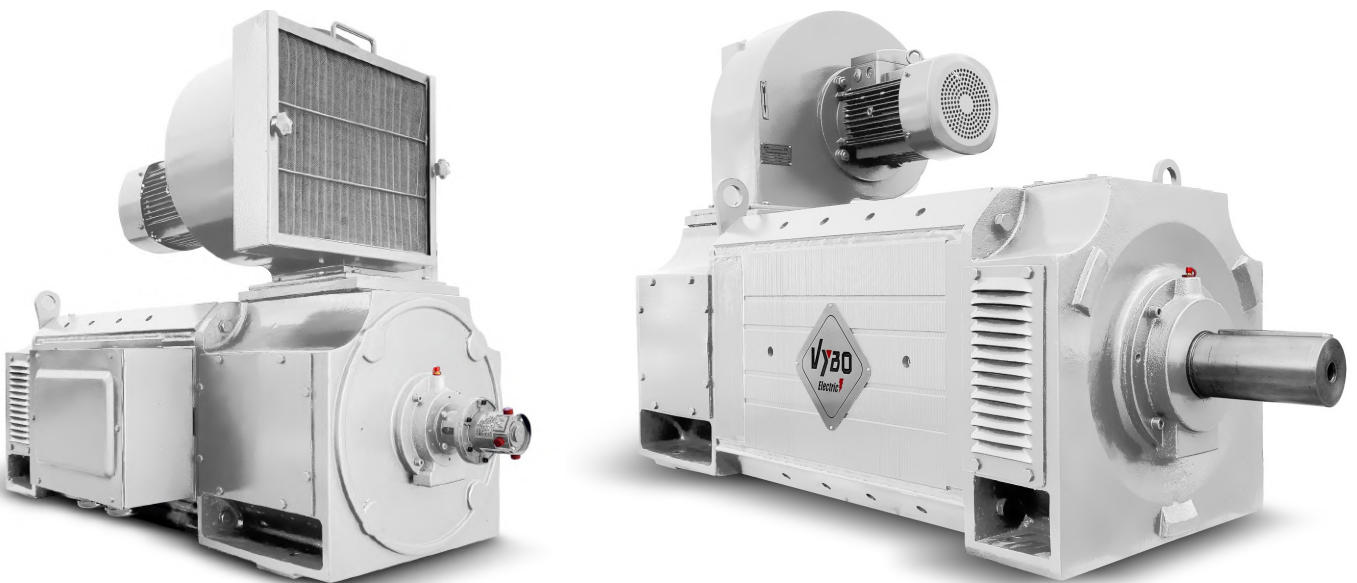
Specification (formerly known as OHSAS 18001) is an internationally recognized standard that declares compliance with the principles of a safe enterprise, managing risks at work and protecting the health of workers during work. It does not only concern danger and accidents, but also emphasizes other aspects such as the good condition and mental well-being of the employee.

The certificate is held in Slovakia as STN ISO 45001:2019 and is under the title Management systems of safety and health protection at work. Requirements with guidance for use. It replaces the STN OHSAS 18001 standard.



## ISO50001

Energy management systems Energy efficiency help organizations save money, save energy resources and also help to prevent climate change. ISO 50001 encourages organizations in all sectors to use energy more efficiently through the development of an energy management system. The international standard ISO 50001: 2011 specifies the requirements for building, maintaining and improving the energy system. It aims to enable organizations to implement a systematic approach that will help achieve lasting improvements in energy efficiency, energy use and consumption.



# Introduction

**2GDC 4000 D.C.** motors are fully laminated, 4 pole, square frame.

**Output:** 7-500 kW

**Torque:** 40-4500 Nm

**2GDC 6000 D.C.** motors are fully laminated, 6 pole, hexagonal frame.

**Power :** 121-1055 kW

**Torque :** 3874-14800 Nm

2GDC 4000 and 2GDC 6000 motor range:

Frame Size	Core lengths
112-4	S, M
132-4	S, M, L, LX
160-4	S, M, L, LX
180-4	S, M, L, LX, X, X2
200-4	S, M, L
225-4	S, M, L
250-4	S, M, L
280-4	S, M, L, LX
315-6	S, M, L, LX, X
400-6	S, M, L, LX, X

To complete the output range, fully laminated, 2 pole, square frame DC motors are also available.

Frame size	Core length
112-2	M1, L1
132-2	M1

To complete the output range, fully laminated, 2 pole, square frame DC motors are also available.

Type designation example -

2GDC 160M-4:

2GDC = Type of motor

160 = Centre height in mm

M = Core length

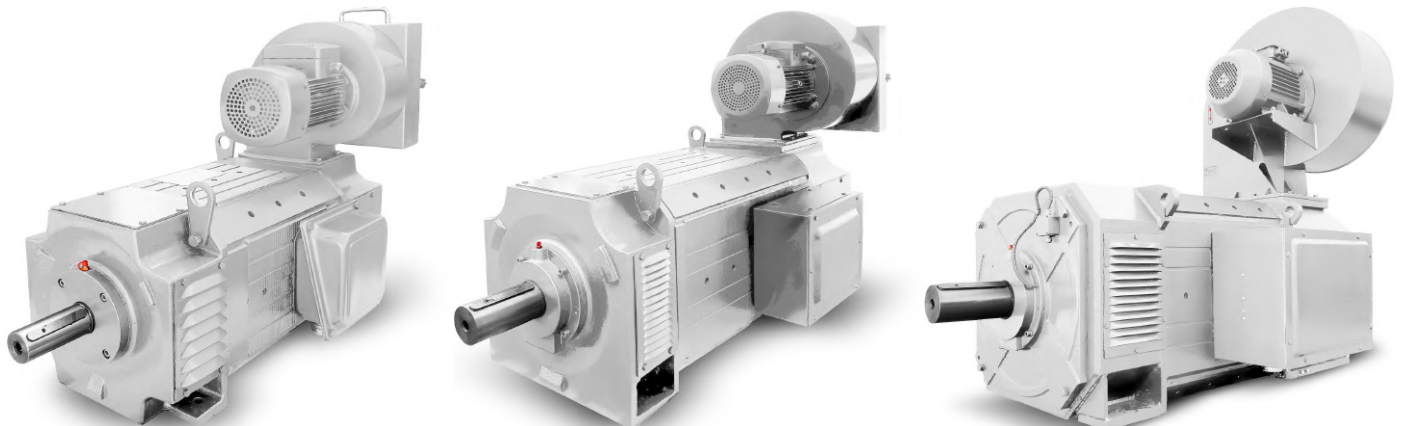
4 = Number of poles

## Basic design characteristics 2GDC 4000 and 2GDC 6000:

- Fully laminated stator, main poles and interpoles.
- Compact square frame design and hexagonal frame design.
- Easy installation of accessories.
- Large openings in end shields for easy inspection.
- Stator windings of varnish insulated copper wire.
- Laminated armature core of high grade insulated electroplate.
- Large number of cooling ducts in armature provide excellent cooling.
- Scrambled armature laminations for low torque ripples.
- Armature windings of varnished copper designed for low commutating stresses and high mechanical strength.
- Armature is impregnated to ensure high degree of heat transfer.
- Brush holders with spring loaded pressure fingers.
- Prepared for a number of options and accessories ensuring high flexibility.
- Painting with excellent corrosion resistant properties.
- Conforms with IEC standards.
- Available as NEMA standard.
- CSA approved.

## 2GDC 6000:

- Equipped with compensation winding



# Options

Frame size of 2GDC	112-4	132-4	160-4	180-4	200-4	225-4	250-4	280-4	315-6	400-6
<b>Cooling forms</b>										
IC06 (IP23) Force ventilated	0	0	0	0	0	0	0	0	0	0
IC17 (IP23) Single pipe ventilated	0	0	0	0	0	0	0	0	0	0
IC37 (IP54) Double pipe ventilated	0	0	0	0	0	0	0	0	0	0
IC410 (IP54) Totally enclosed	0	0	0	0	0	0	0	0		
IC416 (IP54) Totally enclosed, fan cooled	0	0	0	0						
IC666 (IP54) Air-air cooled		0	0	0	0	0	0	0	0	0
IC86W (IP54) Air-water cooled		0	0	0	0	0	0	0	0	0
<i>Other cooling forms available</i>										
<b>Protection</b>										
IP55	0	0	0	0	0	0	0	0	0	0
<b>Mounting forms</b>										
IM1001 Horizontal foot	0	0	0	0	0	0	0	0	0	0
IM1002 Horizontal foot, two shaft ends	0	0	0	0	0	0	0	0	0	0
IM2001 Horizontal foot and flange	0	0	0	0	0	0	0	0	0	0
IM2011 Vertical foot and flange	0	0	0	0	0	0	0	0	0	0
<i>Other mounting forms available</i>										
<b>Modifications and accessories</b>										
Compound winding	0	0	0	0	0	0	0	0	S	S
Pressure switch	0	0	0	0	0	0	0	0	0	0
Temperature sensor, interpole	0	0	0	0	0	0	0	0	0	0
Temperature sensor, compensating winding									0	0
Temperature sensor, field winding	0	0	0	0	0	0	0	0	0	0
Bearing sensor	0	0	0	0	0	0	0	0	0	0
Grounding brush	0	0	0	0	0	0	0	0	0	0
Heating element	0	0	0	0	0	0	0	0	0	0
Brush wear sensor	0	0	0	0	0	0	0	0	0	0
Special shaft	0	0	0	0	0	0	0	0	0	0
Roller bearing d-end	0	0	0	0	0	0	0	0	0	0
Shaft seal, d-end	0	0	0	0	0	0	0	0	0	0
Special balance Class 'B'	0	0	0	0	0	0	0	0	0	0
Special paint (RAL colour)	0	0	0	0	0	0	0	0	0	0
Special corrosion protection	0	0	0	0	0	0	0	0	0	0
Transparent inspection cover	0	0	0	0	0	0	0	0	0	0
Brake	0	0	0	0	0	0	0	0	0	0
Gearbox	0	0	0	0	0	0	0	0	0	0
<b>Tachos with coupling</b>										
REO 444RT1 (60v/1000 min <sup>-1</sup> )	0	0	0	0	0	0	0	0	0	0
TDP 0.2 T-4 (60v/1000 min <sup>-1</sup> )	0	0	0	0	0	0	0	0	0	0
<i>Others available</i>										
<b>Pulse generators</b>										
POG 9 D (1-1250 ppr)	0	0	0	0	0	0	0	0	0	0
DGS65 (1024 ppr)	0	0	0	0	0	0	0	0	0	0
<i>Others available</i>										

S : special on request

# Technical data of 2GDC series

## Cooling data (IC06/17/37)

Frame	Inertia J- Kgm2	Max. mechanical speed (min-1)
2GDC-112M1-2	0,030	5000
2GDC-112L1-2	0,040	5000
2GDC-112S-4	0,037	5000
2GDC-112M-4	0,050	5000
2GDC-132M1-4	0,090	5000
2GDC-132S-4	0,10	4000
2GDC-132M-4	0,12	4000
2GDC-132L-4	0,14	4000
2GDC-132LX-4	0,20	3000
2GDC-160S-4	0,22	3500
2GDC-160S1-4	0,25	3500
2GDC-160L-4	0,31	3500
2GDC-160LX-4	0,46	3000
2GDC-180S1-4	0,39	3800
2GDC-180M1-4	0,47	3800
2GDC-180L1-4	0,55	3800
2GDC-180LX1-4	0,69	3800
2GDC-180X1-4	0,81	3200
2GDC-180Y-4	1,05	3000
2GDC-200S-4	0,95	4000
2GDC-200M-4	1,20	4000
2GDC-200L-4	1,40	4000
2GDC-225S-4	1,90	3600
2GDC-225M-4	2,20	3600
2GDC-225L-4	2,90	3600
2GDC-250S-4	3,30	3200
2GDC-250M-4	3,80	3200
2GDC-250L-4	4,30	3200
2GDC-280S-4	5,90	2800
2GDC-280M-4	6,80	2800
2GDC-280L-4	7,80	2800
2GDC-280LX-4	8,90	2400
2GDC-315S-6	14,5	2500
2GDC-315M-6	17,5	2500
2GDC-315L-6	20,5	2500
2GDC-315LX-6	24,0	2400
2GDC-315X-6	27,0	2000
2GDC-400S-6	36,0	2100
2GDC-400M-6	41,5	2100
2GDC-400L-6	47,5	2100
2GDC-400LX-6	54,0	2100
2GDC-400X-6	63,0	1900

Frame	Air volume m3/h	Pressure drop in motor N/m2
2GDC-112M1-2,112L1-2	235	375
2GDC-112S-4, 112M-4	270	480
2GDC-132M1-2	435	400
2GDC-132S-4, 132M-4, 132L-4	470	550
2GDC-132LX-4	510	810
2GDC-160S-4, 160M-4, 160L-4	880	980
2GDC-160LX-4	600	915
2GDC-180S1-4, 180B1-4	1300	1250
2GDC-180L1-4, 180LX1-4	1300	1250
2GDC-180X1-4	1500	1530
2GDC-180Y1-4	1900	1400
2GDC-200S-4, 200M-4, 200L-4	1050	1150
2GDC-225S-4, 225M-4, 225L-4	1850	1450
2GDC-250S-4, 250M-4, 250L-4	2700	2100
2GDC-280S-4, 280M-4, 280L-4, 280LX-4	3600	2600
2GDC-315S-6, 315M-6, 315L-6, 315LX-6, 315X-6	4650	3400
2GDC-400S-6, 400M-6, 400L-6, 400LX-6, 400X-6	8600	5400

## Bearings

Frame	Drive end		Commutator end
	Ball bearing	Roller bearing	Ball bearing
2GDC-112M1-2,112L1-2	6308-C3	NU308-ECP	6208-2RS-C3
2GDC-112-4	6308-C3	NU308-ECP	6208-2RS-C3
2GDC-132-2	6309-C3	NU309-ECP	6207-2RS-C3
2GDC-132-4	6309-C3	NU309-ECP	6207-2RS-C3
2GDC-160-4	6310-C3	NU310-ECP	6209-2RS-C3
2GDC-180S1-4, 180M1-4	6215-C3	NU2215-ECP	6312-2RS-C3
2GDC-180L1-4, 180LX-4	6215-C3	NU2215-ECP	6312-2RS-C3
2GDC-180X1-4	6215-C3	NU2215-ECP	6312-2RS-C3
2GDC-180Y1-4	6215-C3	NU315-ECP	6312-2RS-C3
2GDC-200-4	6216-C3	NU216-ECP	6214-C3
2GDC-225-4	6218-C3	NU218-ECP	6216-C3
2GDC-250-4	6220-C3	NU220-ECP	6218-C3
2GDC-280-4	6222-C3	NU222-ECP	6220-C3
2GDC-315-6	6228-C3	NU228-ECP	6228-C3
2GDC-400-6	6230-C3	NU230-ECP	6230-C3

# Technical data of 2GDC series

## Blower motor data

Frame	Electric supply		F.L.C. (A)	Output (kW)
2GDC-112M1-2-L1	3x380-420 V	50 Hz	0,70	0,25
	3x220-240 V	50 Hz	1,20	0,25
2GDC-112S-4-B	3x440-480 V	60 Hz	0,70	0,30
2GDC-132M1-2	3x250-280 V	60 Hz	1,20	0,30
2GDC-132S-4-B-C	3x500 V	50 Hz	0,60	0,25
	3x380-420 V	50 Hz	2,10	0,75
2GDC-132LX-4	3x220-240 V	50 Hz	3,60	0,75
	3x440-480 V	60 Hz	2,00	0,90
2GDC-160S-4-M-L	3x250-280 V	60 Hz	3,50	0,90
	3x500 V	50 Hz	1,40	0,75
	3x380-420 V	50 Hz	2,90	1,30
2GDC-160LX-4	3x220-240 V	50 Hz	5,00	1,30
	3x440-480 V	60 Hz	2,80	1,50
	3x250-280 V	60 Hz	5,00	1,50
	3x500 V	50 Hz	2,30	1,30
	3x380-420 V	50 Hz	3,00	1,50
2GDC-180-4 S-M-L-LX1	3x220-240 V	50 Hz	5,20	1,50
	3x440-480 V	60 Hz	2,90	1,75
	3x250-280 V	60 Hz	5,00	1,75
	3x500 V	50 Hz	2,70	1,50

Frame	Electric supply		F.L.C. (A)	Output (kW)
2GDC-180-4 X1-Y1	3x380-420 V	50 Hz	5,80	2,70
	3x220-240 V	50 Hz	10,00	2,70
	3x440-480 V	60 Hz	5,80	3,00
	3x250-280 V	60 Hz	10,00	3,00
	3x500 V	50 Hz	4,60	2,70
2GDC-200-4 S-M-L	3x380-420 V	50 Hz	3,00	1,50
	3x220-240 V	50 Hz	5,20	1,50
	3x440-480 V	60 Hz	2,90	1,75
	3x250-280 V	60 Hz	5,00	1,75
2GDC-225-4 S-M-L	3x380-420 V	50 Hz	5,80	2,70
	3x220-240 V	50 Hz	10,00	2,70
	3x440-480 V	60 Hz	5,80	3,00
	3x250-280 V	60 Hz	10,00	3,00
	3x380-420 V	50 Hz	8,40	4,00
2GDC-250-4 S-M-L	3x220-240 V	50 Hz	14,50	4,00
	3x440-480 V	60 Hz	10,40	5,50
	3x250-280 V	60 Hz	18,00	5,50
	3x380-420 V	50 Hz	10,50	5,50
2GDC-280-4 S-M-L-LX	3x220-240 V	50 Hz	18,20	5,50
	3x440-480 V	60 Hz	14,50	7,50
	3x250-280 V	60 Hz	25,20	7,50
2GDC-315-6 S-M-L-LX-X	3x380-420 V	50 Hz	18,7	11
	3x440-480 V	60 Hz	16,5	11
2GDC-400-6 S-M-L-LX-X	3x380-420 V	50 Hz	30,8	18,5
	3x440-480 V	60 Hz	32,5	22



# Technical data for 2GDC-112M1-2

Cont. output	Max. electrical speed	Base speed (min-1) at armature voltage (V)					Rated armature current	Torque	Efficiency	Armature circuit	
		260	400	440	460	500				Inductance	Resistance
(kW)	(min-1)						(A)	(Nm)	(%)	(mH)	(Ohm)
3,3	1605		1000				12,2	31,0	60,9	120	9,84
3,8	1605			1145			12,2	31,0	63,9	120	9,84
4,0	1605				1220		12,2	31,0	65,2	120	9,84
4,5	1605					1365	12,0	30,8	67,6	120	9,84
2,0	1960	645					13,5	29,1	50,1	88	7,78
3,9	1960		1235				13,5	29,1	64,8	88	7,78
4,4	1960			1400			13,5	29,3	67,3	88	7,78
4,7	1960				1485		13,5	29,3	68,5	88	7,78
5,1	1960					1660	13,4	29,0	70,7	88	7,78
2,9	2480	860					17,0	30,8	57,2	61	5,14
5,2	2480		1570				17,0	30,8	69,8	61	5,14
5,8	2480			1770			17,0	30,8	72,0	61	5,14
6,1	2480				1870		17,0	30,8	73,4	61	5,14
6,7	2480					2080	16,9	30,3	74,8	61	5,14
3,3	3060	1010					18,5	30,2	60,9	49	4,21
5,8	3060		1795				18,5	30,2	60,9	49	4,21
6,5	3060			2015			18,5	30,2	74,3	49	4,21
6,8	3060				2130		18,5	30,2	75,1	49	4,21
7,5	3060					2355	18,5	30,0	76,7	49	4,21
3,9	3250	1185					21,0	30,4	64,2	39	3,33
6,7	3250		2070				21,0	30,4	74,6	39	3,33
7,5	3250			2320			21,0	30,4	76,3	39	3,33
8,0	3250				2445		21,0	30,4	77,1	39	3,33
8,7	3250					2705	20,8	30,0	78,6	39	3,33
4,6	3835	1445					23,7	30,0	68,9	30	2,42
7,9	3835		2450				23,7	30,0	77,7	30	2,42
8,8	3835			2740			23,7	30,0	79,2	30	2,42
9,3	3835				2885		23,7	30,0	79,9	30	2,42
10,1	3835					3175	23,6	29,2	82,4	30	2,42
5,9	3595	1740					29,0	31,6	72,1	30	1,75
9,8	3595		2920				29,0	31,5	79,9	30	1,75
10,9	3595			3255			29,0	31,5	81,2	30	1,75
7,1	3835	2175					34,0	30,8	75,5	15	1,25
11,7	3835		3590				34,0	30,7	82,1	15	1,25
13,1	3835			3995			34,0	30,7	83,2	15	1,25
8,9	5000	2820					41,0	29,6	78,8	10	0,85
14,5	5000		4590				41,0	29,6	84,1	10	0,85

1) Cooling air inlet at N-end. Can be used with cooling air inlet a D-end with 12% reduction of output.

Field loss (hot) = 433 W

IC06/17/37



# Technical data for 2GDC-112L1-2

Cont. output	Max. electrical speed	Base speed (min <sup>-1</sup> ) at armature voltage (V)					Rated armature current	Torque	Efficiency	Armature circuit	
		260	400	440	460	500				Inductance	Resistance
(kW)	(min <sup>-1</sup> )						(A)	(Nm)	(%)	(mH)	(Ohm)
3,1	1055		655				12,2	44,3	56,1	164,00	11,51
3,6	1055			755			12,2	44,3	59,5	164,00	11,51
3,8	1055				805		12,2	44,3	60,9	164,00	11,51
4,3	1055					910	12,1	43,8	63,8	164,00	11,51
3,6	1280		725				13,5	45,6	58,4	141,00	9,85
4,1	1280			835			13,5	45,6	61,6	141,00	9,85
4,3	1280				890		13,5	45,6	62,9	141,00	9,85
4,8	1280					1005	13,4	45,0	65,8	121,00	9,85
3,6	1275		790				13,7	42,6	58,8	121,00	9,52
4,1	1275			910			13,7	42,6	62,0	121,00	9,52
4,4	1275				970		13,7	42,6	63,4	121,00	9,52
4,9	1275					1095	13,6	41,9	66,2	121,00	9,52
4,9	1650		1040				17,0	44,0	65,3	83,00	6,29
5,5	1650			1180			17,0	44,0	67,9	83,00	6,29
5,9	1650				1250		17,0	44,0	69,0	83,00	6,29
6,5	1650					1395	16,8	43,8	71,2	83,00	6,29
3,0	1895	645					18,5	42,9	54,6	67,00	5,16
5,5	1895		1200				18,5	43,1	68,3	67,00	5,16
6,2	1895			1355			18,5	43,2	70,6	67,00	5,16
6,6	1895				1435		18,2	43,2	71,7	67,00	5,16
7,2	1895					1600	18,2	42,4	73,8	67,00	5,16
3,6	2200	770					21,0	43,4	58,5	54,00	4,07
6,4	2200		1390				21,0	43,5	71	54,00	4,07
7,2	2200			1570			21,0	43,5	73,2	54,00	4,07
7,8	2200				1660		21,0	43,5	74,1	54,00	4,07
8,5	2200					1840	20,8	43,1	75,9	54,00	4,07
4,4	2610	950					24,0	43,5	64	41,00	2,97
7,8	2610		1660				24,0	43,5	74,8	41,00	2,97
8,7	2610			1865			24,0	43,5	76,7	41,00	2,97
9,2	2610				1970		24,0	43,5	77,5	41,00	2,97
10,0	2610					2175	23,8	43,0	79,0	41,00	2,97
5,6	3120	1165					29,2	45,1	68,3	30,00	2,13
9,6	3120		1995				29,0	45,2	77,7	30,00	2,13
10,7	3120			2230			29,0	45,2	79,3	30,00	2,13
11,3	3120				2350		29,0	45,2	80,0	30,00	2,13
12,3	3120					2590	28,7	44,6	81,4	30,00	2,13
6,3	3120	1305					32,0	45,7	70,5	25,00	1,76
10,8	3120		2210				32,0	45,7	79,2	25,00	1,76
12,0	3120			2470			32,0	45,7	79,8	25,00	1,76
12,6	3120				2600		32,0	45,7	81,4	25,00	1,76
13,5	3120					2870	31,5	44,5	82,7	25,00	1,76
6,9	3850	1470					34,0	44,0	72,4	21,00	1,52
11,6	3850		2465				34,0	44,0	80,5	21,00	1,52
13,0	3850			2750			34,0	44,0	81,8	21,00	1,52
13,6	3850				2890		34,0	44,0	82,4	21,00	1,52
14,8	3850					3180	33,6	43,5	83,5	21,00	1,52
8,0	4340	1675					38,0	44,3	74,8	17,00	1,22
13,2	4340		2785				38,0	44,3	82,1	17,00	1,22
14,7	4340			3100			38,0	44,3	83,3	17,00	1,22
15,4	4340				3260		38,0	44,3	83,8	17,00	1,22

Field loss (hot) = 515 W

IC06/17/37



# Technical data for 2GDC-112S-4

Cont. output	Max. electrical speed	Base speed (min <sup>-1</sup> ) at armature voltage (V)					Rated armature current	Torque	Efficiency	Armature circuit	
		260	400	440	460	500				Inductance	Resistance
(kW)	(min <sup>-1</sup> )						(A)	(Nm)	(%)	(mH)	(Ohm)
6,8	1655		1325				21	47,9	74,9	40,75	3,258
7,7	1655			1485			21	47,9	76,7	40,75	3,258
8,1	1655				1571		21	47,9	77,8	40,75	3,258
8,2	1810					1740	19,2	43,8	79,9	40,75	3,258
7,2	1795		1445				22	47,1	76,6	35,80	2,776
8,8	1795			1615			22	47	78,3	35,80	2,776
8,6	1795				1708		22	47	79,3	35,80	2,776
8,7	1960					1885	20,1	43,1	81,1	35,80	2,776
4,7	1890	920					24	48	68,7	31,20	2,416
8,0	1890		1565				24	47,9	77,7	31,20	2,416
9,0	1890			1745			24	47,9	79,3	31,20	2,416
9,4	1890				1850		24	47,9	79,9	31,20	2,416
9,3	2115					2034	21,4	42,8	81,7	31,20	2,416
5,0	2105	1010					25,0	46,3	70	26,90	2,174
8,4	2105		1700				25,0	46,3	78,6	26,90	2,174
9,4	2105			1900			25,0	46,3	80	26,90	2,174
9,9	2105				2006		25,0	46,3	81	26,90	2,174
10,0	2295					2207	22,9	42,4	82,3	26,90	2,174
5,6	2435	1120					27,5	47,0	72,3	22,90	1,783
9,4	2435		1870				27,5	47,0	80,1	22,90	1,783
10,5	2435			2085			27,5	47,0	81,5	22,90	1,783
10,2	2435				2197		27,5	47,0	82,3	22,90	1,783
11,7	2515					2418	26,6	45,5	83,5	22,90	1,783
6,2	2655	1240					30,0	46,7	73,6	19,25	1,549
10,3	2655		2060				30,0	46,6	81	19,25	1,549
11,4	2655			2295			30,0	46,6	82,3	19,25	1,549
11,9	2655				2417		30,0	46,6	83,1	19,25	1,549
12,6	2760					2654	28,8	44,8	84,2	19,25	1,549
6,9	2920	1390					33,0	46,7	75,5	15,90	1,275
11,4	2920		2295				33,0	46,6	82,3	15,90	1,275
12,6	2920			2550			33,0	46,6	83,4	15,90	1,275
13,4	2920				2687		33,0	46,6	84,2	15,90	1,275
14,0	3065					2947	31,4	44,3	85,2	15,90	1,275
8,4	2975	1575					39,0	50,0	77,7	12,90	0,973
13,8	2975		2575				39,0	49,9	83,8	12,90	0,973
15,2	2975			2860			39,0	49,9	84,8	12,90	0,973
15,5	3080				3014		37,7	48,2	85,5	12,90	0,973
9,6	3425	1800					44,0	49,9	79,5	10,20	0,772
15,6	3425		2930				44,0	49,8	85,0	10,20	0,772
17,3	3425			3250			44,0	49,8	85,9	10,20	0,772
17,7	3500				3426		43,0	48,7	86,5	10,20	0,772
11,4	3855	2100					51,0	51,0	81,6	7,80	0,573
18,4	3855		3390				51,0	50,8	86,4	7,80	0,573
20,4	3855			3760			51,0	50,8	87,1	7,80	0,573
13,7	4460	2495					60,0	51,3	83,3	5,75	0,425
21,8	4460		4000				60,0	51,1	87,5	5,75	0,425
16,2	5000	3055					70,0	49,8	85,2	4,00	0,298

Field loss (hot) =644 W

IC06/17/37



# Technical data for 2GDC-112M-4

Cont. output	Max. electrical speed	Base speed (min-1) at armature voltage (V)					Rated armature current	Torque	Efficiency	Armature circuit	
		260	400	440	460	500				Inductance	Resistance
(kW)	(min-1)						(A)	(Nm)	(%)	(mH)	(Ohm)
8,1	1545		1160				25,0	65,2	74,8	32,75	2,679
9,1	1545			1300			25,0	65,2	76,6	32,75	2,679
9,6	1545				1375		25,0	65,2	77,7	32,75	2,679
9,1	1790		1280				27,5	66,2	76,7	27,90	2,196
10,1	1790			1435			27,5	66,2	78,3	27,90	2,196
10,7	1790				1512		27,5	66,2	79,4	27,90	2,196
12,8	1790					1668	27,5	66,2	80,8	27,90	2,196
10,0	1950		1410				30,0	66,2	77,7	23,45	1,908
11,1	1950			1575			30,0	66,1	79,3	23,45	1,908
11,7	1950				1712		30,0	66,1	80,2	23,45	1,908
13,0	1950					1837	30,0	66,1	81,6	23,45	1,908
11,1	2145		1575				33,0	66,2	79,3	19,40	1,569
12,4	2145			1760			33,0	66,1	80,7	19,40	1,569
13,1	2145				1855		33,0	66,1	81,5	19,40	1,569
14,4	2145					2043	33,0	66,1	82,8	19,40	1,569
8,1	2240	1070					39,0	70,6	73,8	15,70	1,195
13,4	2240		1790				39,0	70,5	81,1	15,70	1,195
14,9	2240			1980			39,0	70,5	82,4	15,70	1,195
15,7	2240				2090		39,0	70,4	83,1	15,70	1,195
9,3	2515	1230					44,0	70,8	76,0	12,40	0,947
15,3	2515		2030				44,0	70,6	82,6	12,40	0,947
17,0	2515			2255			44,0	70,6	83,7	12,40	0,947
17,9	2515				2373		44,0	70,6	84,4	12,40	0,947
11,1	2835	1445					51,0	71,8	78,5	9,50	0,708
18,1	2835		2355				51,0	71,6	84,2	9,50	0,708
20,0	2835			2615			51,0	71,6	85,1	9,50	0,708
13,3	3280	1720					60,0	72,2	80,5	7,00	0,526
21,4	3280		2785				60,0	72,0	85,5	7,00	0,526
23,8	3280			3085			60,0	72,0	86,8	7,00	0,526
15,8	4050	2115					70,0	70,2	82,8	4,85	0,368
25,3	4050		3390				70,0	69,9	86,9	4,85	0,368
28,1	4050			3755			70,0	69,8	87,6	4,85	0,368
19,0	5000	2705					82,0	65,5	84,7	3,10	0,251
29,9	5000		4300				82,0	65,2	87,9	3,10	0,251
33,0	5000			4755			82,0	65,1	88,4	3,10	0,251
23,5	5000	3690					100,0	59,5	86,5	1,75	0,149

Field loss (hot) = 759 W

IC06/17/37



# Technical data for 2GDC-132M1-2

Cont. output	Max. electrical speed	Base speed (min <sup>-1</sup> ) at armature voltage (V)					Rated armature current	Torque	Efficiency	Armature circuit	
		260	400	440	460	500				Inductance	Resistance
(kW)	(min <sup>-1</sup> )						(A)	(%)	(mH)	(Ohm)	
4,1	1480		605				16,4	55,9	132	8,93	
4,7	1480			700			16,4	59,3	132	8,93	
5,0	1480				750		16,4	60,8	132	8,93	
5,6	1480					850	16,2	63,9	132	8,93	
5,7	1725		830				20,5	63,5	87	5,73	
6,5	1725			945			20,5	66,3	87	5,73	
6,9	1725				1000		20,5	67,5	87	5,73	
7,7	1725					1125	20,3	69,9	87	5,73	
6,7	1950		980				23,3	66,8	68	4,50	
7,7	1950			1110			23,3	69,3	68	4,50	
8,2	1950				1180		23,3	70,5	68	4,50	
9,0	1950					1315	23,0	72,6	68	4,50	
8,5	2200		1200				27,5	71,5	51	3,18	
9,5	2200			1350			27,5	73,7	51	3,18	
10,1	2200				1430		27,5	74,6	51	3,18	
11,1	2200					1585	27,2	76,4	51	3,18	
5,4	1860	745					30,5	62	43	2,60	
9,6	1860		1330				30,5	73,6	43	2,60	
10,8	1860			1495			30,5	75,6	43	2,60	
11,4	1860				1580		30,5	76,5	43	2,60	
12,3	1860					1755	30,1	78,2	43	2,60	
5,7	2650	830					32,0	63,4	36	2,37	
10,2	2650		1465				32,0	74,6	36	2,37	
11,4	2650			1650			32,0	76,5	36	2,37	
12,0	2650				1740		32,0	77,3	36	2,37	
13,3	2650					1925	31,6	78,9	36	2,37	
6,7	2840	945					36,0	66,3	30	1,93	
11,7	2840		1650				36,0	76,5	30	1,93	
13,2	2840			1850			36,0	78,3	30	1,93	
13,9	2840				1950		36,0	79,1	30	1,93	
15,1	2840					2155	35,6	80,5	30	1,93	
7,9	3160	1100					40,0	69,9	24	1,51	
13,4	3160		1880				40,0	78,9	24	1,51	
14,9	3160			2105			40,0	80,5	24	1,51	
15,7	3160				2215		40,0	81,2	24	1,51	
17,1	3160					2440	39,5	82,4	24	1,51	
9,3	3480	1280					46,0	72,8	19	1,16	
16	3480		2155				46,0	80,9	19	1,16	
17,4	3480			2405			46,0	82,3	19	1,16	
18	3480				2530		46,0	82,9	19	1,16	
20,0	3480					2785	45,4	84	19	1,16	
10,8	4000	1505					52,0	75,2	15	0,92	
18,0	4000		2500				52,0	82,5	15	0,92	
20,1	4000			2790			52,0	83,7	15	0,92	
21,1	4000				2935		52,0	84,3	15	0,92	
13,0	4000	1820					60,0	66,9	11	0,65	
21,2	4000		2990				60,0	84,7	11	0,65	
23,7	4000			3320			60,0	85,7	11	0,65	
24,8	4000				3490		60,0	86,2	11	0,65	
15,9	4000	2240					72,0	80,8	8	0,47	
25,8	4000		3640				72,0	86,1	8	0,47	

Field loss (hot) = 567 W

IC06/17/37/86W



# Technical data for 2GDC-132S-4

Cont. output	Max. electrical speed	Base speed (min <sup>-1</sup> ) at armature voltage (V)					Rated armature current	Torque	Efficiency	Armature circuit	
		260	400	440	460	500				Inductance	Resistance
(kW)	(min <sup>-1</sup> )						(A)	(Nm)	(%)	(mH)	(Ohm)
7,9	1250		690				27,5	107,0	65,4	60,3	4,01
9,0	1250			785			27,5	107,0	68,1	60,3	4,01
9,6	1250				837		27,5	107,0	69,8	60,3	4,01
10,6	1250					942	27,0	105,0	72,6	60,3	4,01
9,3	1410		820				31,0	106,0	68,8	46,2	3,16
10,5	1410			930			31,0	106,0	71,2	46,2	3,16
11,2	1410				993		31,0	105,0	72,8	46,2	3,16
12,2	1410					1111	30,5	104,0	75,3	46,2	3,16
6,0	1750	555					35,0	102,0	59,9	33,9	2,41
10,9	1750		1000				35,0	102,0	72,3	33,9	2,41
12,3	1750			1130			35,0	102,0	74,5	33,9	2,41
13,1	1750				1199		35,0	102,0	75,8	33,9	2,41
14,3	1750					1337	34,4	100,0	78	33,9	2,41
8,1	2000	720					43,0	105,0	66	23,6	1,61
14,1	2000		1260				43,0	105,0	76,5	23,6	1,61
15,7	2000			1410			43,0	105,0	78,3	23,6	1,61
16,6	2000				1493		43,0	105,0	79,4	23,6	1,61
18,2	2000					1654	42,3	103,0	81,2	23,6	1,61
9,6	2160	835					49,0	107,0	69,3	19,4	1,26
16,3	2160		1430				49,0	107,0	78,7	19,4	1,26
18,4	2160			1600			49,0	107,0	80,3	19,4	1,26
19,4	2160				1693		49,0	107,0	81,3	19,4	1,26
21,1	2160					1870	48,2	105,0	82,9	19,4	1,26
10,4	2630	980					51,0	99,0	72,4	15,3	1,04
17,4	2630		1650				51,0	99,1	80,7	15,3	1,04
19,5	2630			1840			51,0	99,1	82,1	15,3	1,04
20,6	2630				1943		51,0	99,0	83	15,3	1,04
22,2	2630					2144	50,2	97,4	84,4	15,3	1,04
13,0	2920	1150					62,0	106,0	75,2	11,8	0,77
21,6	2920		1915				62,0	105,0	82,6	11,8	0,77
24,1	2920			2135			62,0	105,0	83,9	11,8	0,77
25,4	2920				2251		62,0	105,0	84,7	11,8	0,77
27,3	2920					2481	61,0	104,0	85,9	11,8	0,77
14,8	3750	1380					69,0	100,0	77,4	8,7	0,61
24,4	3750		2270				69,0	101,0	84,1	8,7	0,61
27,1	3750			2525			69,0	100,0	85,2	8,7	0,61
27,8	3750				2662		69,0	100,0	85,9	8,7	0,61
31	3750					2923	67,9	98,7	87	8,7	0,61
16,5	4000	1725					74,0	89,7	80,9	5,0	0,45
27	4000		2795				74,0	89,6	86,2	5,0	0,45
29,7	4000			3100			74,0	89,4	87,1	5,0	0,45
31,1	4000				3264		74,0	89,4	87,6	5,0	0,45
33,6	4000					3572	72,8	87,9	88,5	5,0	0,45
23,1	4000	2220					100,0	97,0	84,1	3,2	0,26
36,8	4000		3560				100,0	96,8	88,3	3,2	0,26
40,7	4000			3945			100,0	96,7	89,1	3,2	0,26

Field loss (hot) = 773 W

IC06/17/37/86W



# Technical data for 2GDC-132M-4

Cont. output	Max. electrical speed	Base speed (min <sup>-1</sup> ) at armature voltage (V)					Rated armature current	Torque	Efficiency	Armature circuit	
		260	400	440	460	500				Inductance	Resistance
(kW)	(min <sup>-1</sup> )						(A)	(Nm)	(%)	(mH)	(Ohm)
10,4	1200		730				35,0	133	68,6	42,0	2,81
11,8	1200			830			35,0	133	71,1	42,0	2,81
12,5	1200				881		35,0	133	72,6	42,0	2,81
13,9	1200					990	34,4	131	75,2	42,0	2,81
7,5	1410	515					43,0	137	61,4	29,2	1,88
13,6	1410		930				43,0	137	73,4	29,2	1,88
15,3	1410			1045			43,0	137	75,5	29,2	1,88
16,2	1410				1106		43,0	137	76,8	29,2	1,88
17,6	1410					1236	42,3	134	78,9	29,2	1,88
9,1	1520	605					49,0	140	65,4	23,6	1,46
15,9	1520		1060				49,0	140	76,0	23,6	1,46
17,9	1520			1190			49,0	140	77,9	23,6	1,46
18,9	1520				1258		49,0	140	79,0	23,6	1,46
20,6	1520					1399	48,2	138	80,9	23,6	1,46
9,9	1860	715					51,0	130	68,8	18,7	1,22
17,0	1860		1230				51,0	130	78,3	18,7	1,22
19,0	1860			1375			51,0	130	79,9	18,7	1,22
20,1	1860				1449		51,0	130	80,9	18,7	1,22
21,8	1860					1606	50,2	127	82,6	18,7	1,22
12,4	2050	845					62,0	138	72,0	14,2	0,89
21,1	2050		1430				62,0	138	80,5	14,2	0,89
23,6	2050			1595			62,0	138	82,0	14,2	0,89
24,9	2050				1683		62,0	138	82,9	14,2	0,89
26,9	2050					1861	61,0	136	84,3	14,2	0,89
14,3	2500	1015					69,0	132	74,6	10,5	0,71
23,9	2500		1700				69,0	132	82,2	10,5	0,71
26,6	2500			1895			69,0	132	83,5	10,5	0,71
28,1	2500				1997		69,0	132	84,3	10,5	0,71
30,4	2500					2202	67,9	129	85,6	10,5	0,71
16,1	3350	1285					74,0	118	78,6	7,3	0,52
26,3	3350		2100				74,0	118	84,7	7,3	0,52
29,3	3350			2335			74,0	117	85,8	7,3	0,52
30,7	3350				2461		74,0	117	86,4	7,3	0,52
33,3	3350					2697	72,8	115	87,4	7,3	0,52
22,5	3900	1665					100,0	127	82,3	4,6	0,30
36,4	3900		2690				100,0	127	87,2	4,6	0,30
40,4	3900			2980			100,0	127	88,0	4,6	0,30
42,4	3900				3132		100,0	127	88,5	4,6	0,30
45,6	3900					3433	98,3	125	89,3	4,6	0,30
28,3	4000	2280					122,0	116	84,9	2,6	0,19
45,0	4000		3645				122,0	116	88,7	2,6	0,19

Field loss (hot) = 855 W

IC06/17/37/86W



# Technical data for 2GDC-132L-4

Cont. output	Max. electrical speed	Base speed (min-1) at armature voltage (V)					Rated armature current	Torque	Efficiency	Armature circuit	
		260	400	440	460	500				Inductance	Resistance
(kW)	(min-1)						(A)	(Nm)	(%)	(mH)	(Ohm)
12,0	1460		765				38,5	148	71,8	35	2,14
13,6	1460			860			38,5	148	74,0	35	2,14
14,4	1460				910		38,5	148	75,3	35	2,14
16,4	1460					1019	37,9	145	77,5	35	2,14
7,9	1610	495					43,0	149	63,3	29	1,69
13,9	1610		875				43,0	149	74,5	29	1,69
15,6	1610			980			43,0	149	76,5	29	1,69
16,4	1610				1037		43,0	149	77,7	29	1,69
18,1	1610					1154	42,3	146	79,6	29	1,69
9,2	1830	580					48,0	148	66,6	23	1,35
15,8	1830		1000				48,0	148	76,7	23	1,35
17,7	1830			1125			48,0	148	78,5	23	1,35
18,8	1830				1189		48,0	148	79,6	23	1,35
20,4	1830					1317	47,2	146	81,4	23	1,35
10,9	2080	690					55,0	148	69,8	17	1,05
18,6	2080		1170				55,0	148	78,9	17	1,05
20,7	2080			1310			55,0	148	80,5	17	1,05
21,8	2080				1385		55,0	148	81,2	17	1,05
23,8	2080					1528	54,1	146	83,0	17	1,05
13,3	2470	825					65,0	150	72,5	13	0,8
22,3	2470		1390				65,0	150	80,8	13	0,8
24,9	2470			1550			65,0	150	82,2	13	0,8
26,2	2470				1639		65,0	150	83,1	13	0,8
28,5	2470					1803	63,9	148	84,5	13	0,8
16,5	3000	1045					77,0	148	77,1	9	0,53
27,2	3000		1720				77,0	148	83,8	9	0,53
30,3	3000			1915			77,0	148	84,9	9	0,53
31,8	3000				2016		77,0	148	85,6	9	0,53
34,4	3000					2216	75,7	145	86,7	9	0,53
22,0	3780	1365					98,0	151	81,3	6	0,32
35,6	3780		2215				98,0	151	86,6	6	0,32
39,5	3780			2455			98,0	151	87,5	6	0,32
41,4	3780				2579		98,0	151	88,0	6	0,32
44,6	3780					2827	96,4	148	88,9	6	0,32
26,2	4000	1880					114,0	131	84,1	3	0,21
41,8	4000		3010				114,0	130	88,2	3	0,21
46,3	4000			3330			114,0	130	88,9	3	0,21
48,6	4000				3494		114,0	130	89,2	3	0,21
52,2	4000					3827	112,0	128	89,9	3	0,21

Field loss (hot) = 1030 W

IC06/17/37/86W





# Technical data for 2GDC-132LX-4

Cont. output	Max. electrical speed	Base speed (min <sup>-1</sup> ) at armature voltage (V)					Rated armature current	Torque	Efficiency	Armature circuit	
		260	400	440	460	500				Inductance	Resistance
(kW)	(min <sup>-1</sup> )						(A)	(Nm)	(%)	(mH)	(Ohm)
11,9	920		465				43,0	242	65,0	44,5	2,74
13,7	920			530			43,0	242	67,8	44,5	2,74
14,7	920				568		43,0	242	69,6	44,5	2,74
16,3	920					639	42,2	237	72,4	44,5	2,74
13,8	1040		545				47,0	238	68,7	36,1	2,17
15,7	1040			620			47,0	238	71,2	36,1	2,17
16,7	1040				661		47,0	238	72,8	36,1	2,17
18,5	1040					740	46,2	234	75,4	36,1	2,17
15,6	1210		635				51,0	229	71,6	28,5	1,78
17,6	1210			720			51,0	229	73,8	28,5	1,78
18,8	1210				763		51,0	229	75,3	28,5	1,78
20,6	1210					856	50,1	225	77,5	28,5	1,78
10,5	1345	415					60,0	236	62,5	21,8	1,36
18,9	1345		750				60,0	236	74,2	21,8	1,36
21,3	1345			845			60,0	236	76,3	21,8	1,36
22,5	1345				896		60,0	236	77,6	21,8	1,36
24,7	1345					1000	59,0	232	79,7	21,8	1,36
12,8	1645	515					69,0	233	66,6	16,0	1,03
22,4	1645		900				69,0	233	77,0	16,0	1,03
25,2	1645			1010			69,0	233	78,8	16,0	1,03
26,6	1645				1071		69,0	233	79,9	16,0	1,03
29,1	1645					1192	67,8	229	81,7	16,0	1,03
16,8	1920	660					85,0	239	71,8	11,1	0,69
28,8	1920		1125				85,0	239	80,6	11,1	0,69
32,1	1920			1260			85,0	239	82,3	11,1	0,69
34,0	1920				1331		85,0	239	83,0	11,1	0,69
36,8	1920					1466	83,5	235	84,4	11,1	0,69
21,3	2575	895					99,0	223	78,1	7,1	0,42
35,1	2575		1475				99,0	223	84,7	7,1	0,42
39,1	2575			1645			99,0	223	85,8	7,1	0,42
41,1	2575				1732		99,0	223	86,6	7,1	0,42
44,4	2575					1899	97,3	219	87,6	7,1	0,42
27,3	3000	1235					123,0	207	81,1	4,0	0,28
44,4	3000		2010				123,0	207	86,6	4,0	0,28
49,3	3000			2230			123,0	207	87,6	4,0	0,28
51,8	3000				2344		123,0	207	88,2	4,0	0,28
55,8	3000					2567	121,0	203	89,0	4,0	0,28

Field loss (hot) = 1391 W

IC06/17/37/86W



# Technical data for 2GDC-160S-4

Cont. output	Max. electrical speed	Base speed (min-1) at armature voltage (V)				Rated armature current	Torque	Efficiency	Armature circuit	
		400	440	460	500				Inductance	Resistance
(kW)	(min-1)					(A)	(Nm)	(%)	(mH)	(Ohm)
12,6	980	650				41,0	182	71,0	33,6	2,14
14,3	980		735			41,0	182	73,3	33,6	2,14
15,3	980			783		41,0	182	74,8	33,6	2,14
16,6	980				870	40,3	179	77,1	33,6	2,14
14,3	1050	735				45,0	182	73,3	28,2	1,75
16,0	1050		825			45,0	182	75,3	28,2	1,75
16,9	1050			871		45,0	182	76,6	28,2	1,75
18,7	1050				971	44,3	179	78,7	28,2	1,75
16,2	1205	825				50,0	185	75,5	23,3	1,44
18,3	1205		925			50,0	185	77,4	23,3	1,44
18,4	1205			979		50,0	185	78,6	23,3	1,44
21,1	1205				1087	49,2	182	80,5	23,3	1,44
18,6	1400	935				56,0	186	77,4	18,9	1,17
20,8	1400		1045			56,0	186	79,1	18,9	1,17
21,9	1400			1106		56,0	186	80,3	18,9	1,17
24,0	1400				1226	55,1	183	82,0	18,9	1,17
21,3	1575	1075				63,0	186	79,6	14,9	0,92
23,9	1575		1200			63,0	186	81,2	14,9	0,92
25,3	1575			1267		63,0	186	82,2	14,9	0,92
27,3	1575				1399	62,0	183	83,7	14,9	0,92
24,8	1850	1245				72,0	187	81,3	11,5	0,72
27,6	1850		1390			72,0	187	82,7	11,5	0,72
29,3	1850			1468		72,0	187	83,7	11,5	0,72
31,7	1850				1615	70,8	183	85,1	11,5	0,72
30,1	2125	1490				85,0	189	83,9	8,4	0,50
33,5	2125		1660			85,0	189	85,1	8,4	0,50
35,2	2125			1747		85,0	189	85,8	8,4	0,50
38,0	2125				1923	83,6	186	87,0	8,4	0,50
36,8	2470	1830				102	189	86,0	5,9	0,35
40,9	2470		2030			102	189	87,0	5,9	0,35
42,8	2470			2134		102	189	87,7	5,9	0,35
46,4	2590				2346	100	185	88,7	5,9	0,35
46,7	3325	2330				127	188	88,2	3,8	0,22
51,8	3325		2580			127	188	89,0	3,8	0,22
54,4	3325			2711		127	188	89,5	3,8	0,22
58,5	3325				2971	124	185	90,3	3,8	0,22
52,6	3500	2630				142	188	89,6	3,0	0,18
58,3	3500		2910			142	188	90,4	3,0	0,18
61,0	3500			3050		142	188	90,6	3,0	0,18
65,9	3500				3335	140	185	91,2	3,0	0,18
62,2	3500	3165				166	184	90,2	2,1	0,13

Field loss (hot) = 1082 W

IC06/17/37/86W



# Technical data for 2GDC-160S1-4

Cont. output	Max. electrical speed	Base speed (min <sup>-1</sup> ) at armature voltage (V)				Rated armature current	Torque	Efficiency	Armature circuit	
		400	440	460	500				Inductance	Resistance
(kW)	(min <sup>-1</sup> )					(A)	(Nm)	(%)	(mH)	(Ohm)
15,1	1080	680				47,0	208	75,2	26,3	1,59
17,0	1080		765			47,0	208	77,1	26,3	1,59
18,0	1080			812		47,0	208	78,4	26,3	1,59
19,7	1080				899	46,2	205	80,3	26,3	1,59
16,7	1180	755				51,0	207	76,7	22,1	1,36
18,8	1180		845			51,0	207	78,5	22,1	1,36
19,9	1180			935		51,0	207	79,3	22,1	1,36
21,6	1180				995	50,1	204	81,5	22,1	1,36
19,1	1280	845				57,0	211	78,7	18,3	1,12
21,3	1280		950			57,0	211	80,3	18,3	1,12
22,5	1280			1003		57,0	211	81,4	18,3	1,12
24,4	1280				1106	56,0	207	82,8	18,3	1,12
21,3	1430	955				63,0	210	80,1	14,9	0,92
23,9	1430		1065			63,0	210	81,7	14,9	0,92
25,3	1430			1125		63,0	210	82,6	14,9	0,92
27,3	1430				1245	61,9	206	84,1	14,9	0,92
24,9	1580	1095				72,0	213	82,1	11,7	0,71
27,8	1580		1220			72,0	213	83,5	11,7	0,71
29,4	1580			1287		72,0	213	84,4	11,7	0,71
31,8	1580				1418	70,8	210	85,7	11,7	0,71
29,1	1800	1275				82,5	214	83,9	9,0	0,54
32,3	1800		1420			82,5	214	85,1	9,0	0,54
34,1	1800			1493		82,5	214	85,9	9,0	0,54
36,9	1800				1644	81,1	210	87,1	9,0	0,54
34,8	2100	1515				97,0	215	85,8	6,6	0,40
38,7	2100		1680			97,0	215	86,8	6,6	0,40
40,6	2100			1767		97,0	215	87,5	6,6	0,40
43,9	2100				1942	95,3	212	88,5	6,6	0,40
41,9	2550	1845				115	213	87,5	4,6	0,28
46,5	2550		2050			115	213	88,4	4,6	0,28
49,0	2550			2153		115	213	89,0	4,6	0,28
52,7	2550				2365	113	209	89,9	4,6	0,28
44,1	3000	2020				120	204	88,5	4,0	0,25
48,9	3000		2240			120	204	89,3	4,0	0,25
51,2	3000			2350		120	204	89,7	4,0	0,25
55,4	3000				2570	119	202	90,3	4,0	0,25
53,6	3170	2350				144	213	89,5	2,9	0,18
59,3	3170		2605			144	213	90,3	2,9	0,18
62,2	3170			2736		144	213	90,7	2,9	0,18
66,3	3170				2995	140	207	91,4	2,9	0,18
57,5	3500	2640				154	204	90,3	2,4	0,15
63,6	3500		2925			154	204	90,9	2,4	0,15
66,5	3500			3065		154	203	91,2	2,4	0,15
71,8	3500				3350	152	201	91,8	2,4	0,15
71,4	3500	3190				189	210	91,4	1,7	0,10

1) Cooling air inlet at N-end. Can be used with cooling air inlet a D-end with 10% reduction of output.

Field loss (hot) = 1082 W

IC06/17/37/86W



# Technical data for 2GDC-160M-4

Cont. output	Max. electrical speed	Base speed (min <sup>-1</sup> ) at armature voltage (V)				Rated armature current	Torque	Efficiency	Armature circuit	
		400	440	460	500				Inductance	Resistance
(kW)	(min <sup>-1</sup> )				(A)	(Nm)	(%)	(mH)	(Ohm)	
15,7	925	620			50,0	237	72,3	28,30	1,64	
17,7	925		700		50,0	237	74,5	28,30	1,64	
18,8	925			744	50,0	237	75,8	28,30	1,64	
20,6	925				50,0	233	78,0	28,30	1,64	
18,0	1125	710			56,0	238	74,4	22,90	1,33	
20,2	1125		795		56,0	238	76,4	22,90	1,33	
21,4	1125			842	56,0	238	77,7	22,90	1,33	
23,5	1125				55,1	234	79,7	22,90	1,33	
20,8	1265	815			63,0	239	76,9	18,10	1,05	
23,4	1265		915		63,0	239	78,7	18,10	1,05	
24,7	1265			969	63,0	239	79,8	18,10	1,05	
26,8	1265				62,0	235	81,6	18,10	1,05	
24,3	1490	950			72,0	238	78,9	13,85	0,83	
27,1	1490		1065		72,0	238	80,5	13,85	0,83	
28,7	1490			1126	72,0	238	81,5	13,85	0,83	
31,1	1490				70,8	234	83,1	13,85	0,83	
29,5	1690	1145			85,0	242	81,8	10,20	0,58	
32,8	1690		1275		85,0	242	83,2	10,20	0,58	
34,7	1690			1346	85,0	242	84,1	10,20	0,58	
37,5	1690				83,6	237	85,4	10,20	0,58	
36,2	2000	1410			102,0	241	84,2	7,05	0,40	
40,3	2000		1565		102,0	241	85,4	7,05	0,40	
42,2	2000			1644	102,0	241	86,1	7,05	0,40	
45,8	2000				100,0	237	87,3	7,05	0,40	
46,1	2675	1800			127,0	240	86,7	4,50	0,25	
51,2	2675		1995		127,0	240	87,7	4,50	0,25	
53,9	2675			2099	127,0	240	88,3	4,50	0,25	
58,0	2675				125,0	236	89,2	4,50	0,25	
51,3	2980	2030			140,0	237	88,4	3,63	0,21	
56,9	2980		2250		140,0	237	89,2	3,63	0,21	
59,7	2980			2360	140,0	237	89,5	3,63	0,21	
64,6	2980				138,0	233	90,5	3,63	0,21	
61,6	3500	2450			166,0	235	89,0	2,55	0,15	
68,1	3500		2715		166,0	235	89,8	2,55	0,15	
71,4	3500			2848	166,0	235	90,2	2,55	0,15	
76,8	3500				163,0	231	90,9	2,55	0,15	
75,0	3500	2920			200,0	241	90,8	1,85	0,09	
81,1	3500		3230		200,0	240	91,3	1,85	0,09	
85,4	3500			3386	200,0	240	91,6	1,85	0,09	

Field loss (hot) = 1288 W

IC06/17/37/86W



# Technical data for 2GDC-160M1-4

Cont. output	Max. electrical speed	Base speed (min-1) at armature voltage (V)				Rated armature current	Torque	Efficiency	Armature circuit	
		400	440	460	500				Inductance	Resistance
(kW)	(min-1)					(A)	(Nm)	(%)	(mH)	(Ohm)
18,5	1040	640				57,0	270	75,7	23,6	1,28
20,7	1040		720			57,0	270	77,6	23,6	1,28
21,9	1040			763		57,0	270	78,8	23,6	1,28
24,0	1040				846	56,0	265	80,7	23,6	1,28
20,8	1150	725				63,0	269	77,5	19,1	1,05
23,4	1150		815			63,0	269	79,3	19,1	1,05
24,7	1150			861		63,0	269	80,4	19,1	1,05
26,8	1150				957	61,9	264	82,1	19,1	1,05
24,4	1280	840				72,0	273	79,9	15,1	0,81
27,3	1280		935			72,0	273	81,4	15,1	0,81
28,9	1280			989		72,0	273	82,4	15,1	0,81
31,3	1280				1091	70,8	269	83,9	15,1	0,81
28,6	1450	975				82,5	274	81,9	11,6	0,62
31,8	1450		1090			82,5	274	83,3	11,6	0,62
33,7	1450			1150		82,5	274	84,2	11,6	0,62
36,4	1450				1264	81,1	269	85,5	11,6	0,62
34,3	1680	1165				97,0	276	84,1	8,5	0,45
38,1	1680		1295			97,0	276	85,2	8,5	0,45
40,2	1680			1365		97,0	276	86,0	8,5	0,45
43,5	1680				1500	95,3	271	87,2	8,5	0,45
41,4	2050	1425				115	273	86,1	5,9	0,32
46,1	2050		1585			115	273	87,2	5,9	0,32
48,5	2050			1664		115	273	87,8	5,9	0,32
52,2	2050				1832	113	268	88,9	5,9	0,32
43,4	2420	1560				120	260	86,9	4,9	0,29
48,1	2420		1730			120	260	87,4	4,9	0,29
50,4	2420			1815		120	260	88,2	4,9	0,29
54,7	2420				1990	118	257	89,0	4,9	0,29
53,0	2550	1820				144	273	88,4	3,8	0,20
58,8	2550		2015			144	273	89,2	3,8	0,20
61,7	2550			2119		144	273	89,8	3,8	0,20
66,5	2550				2322	142	268	90,5	3,8	0,20
56,9	3110	2050				154	261	89,2	2,9	0,18
63,0	3110		2270			154	261	89,9	2,9	0,18
66,1	3110			2375		154	261	90,5	2,9	0,18
70,9	3110				2600	151	256	91,1	2,9	0,18
70,9	3420	2470				189	269	90,5	2,1	0,12
78,4	3420		2735			189	269	91,1	2,1	0,12
82,2	3420			2873		189	269	91,5	2,1	0,12
88,3	3420				3139	186	264	92,1	2,1	0,12
79,5	3500	2940				210	253	91,4	1,5	0,09
87,7	3500		3250			210	253	91,9	1,5	0,09
92,0	3500			3406		210	253	92,2	1,5	0,09

1) Cooling air inlet at N-end. Can be used with cooling air inlet a D-end with 10% reduction of output.  
Field loss (hot) = 1288 W

IC06/17/37/86W



# Technical data for 2GDC-160L-4

Cont. output	Max. electrical speed	Base speed (min-1) at armature voltage (V)				Rated armature current	Torque	Efficiency	Armature circuit	
		400	440	460	500				Inductance	Resistance
(kW)	(min-1)					(A)	(Nm)	(%)	(mH)	(Ohm)
20,0	1000	605				63,0	310	73,6	22,6	1,24
22,5	1000		680			63,0	310	75,7	22,6	1,24
24,0	1000			724		63,0	310	77,0	22,6	1,24
26,1	1000				803	62,0	305	77,0	22,6	1,24
23,5	1175	710				72,0	310	76,0	17,3	0,97
26,3	1175		795			72,0	310	77,8	17,3	0,97
27,8	1175			842		72,0	310	79,0	17,3	0,97
30,4	1175				933	70,8	305	81,8	17,3	0,97
28,8	1330	860				85,0	313	79,3	12,7	0,68
32,1	1330		960			85,0	313	80,9	12,7	0,68
34,0	1330			1013		85,0	313	81,9	12,7	0,68
36,8	1330				1120	83,6	308	83,5	12,7	0,68
35,4	1565	1060				102	313	82,1	8,85	0,48
39,5	1565		1180			102	313	83,4	8,85	0,48
41,5	1565			1243		102	313	84,3	8,85	0,48
45,0	1565				1370	100	308	85,6	8,85	0,48
45,3	2105	1360				127	312	84,9	5,65	0,30
50,4	2105		1510			127	312	86,0	5,65	0,30
53,0	2105			1590		127	312	86,7	5,65	0,30
57,3	2105				1745	125	307	87,8	5,65	0,30
50,6	2350	1540				140	308	86,9	4,6	0,25
56,2	2350		1710			140	308	87,8	4,6	0,25
59,0	2350			1790		140	308	88,4	4,6	0,25
63,8	2350				1965	138	302	89,3	4,6	0,25
60,8	2815	1860				166	306	87,7	3,2	0,18
67,4	2815		2060			166	306	88,5	3,2	0,18
70,8	2815			2168		166	306	89,1	3,2	0,18
76,2	2815				2375	163	301	89,9	3,2	0,18
74,6	3230	2220				200	314	90,1	2,3	0,11
82,5	3230		2460			200	314	90,7	2,3	0,11
86,6	3230			2579		200	314	91,1	2,3	0,11
94,6	3230				2822	200	314	91,7	2,3	0,11
88,1	3500	2815				234	294	91,2	1,5	0,08
97,4	3500		3100			234	294	91,7	1,5	0,08
100,1	3500			3259		234	293	92,1	1,5	0,08

Field loss (hot) = 1442 W

IC06/17/37/86W



# Technical data for 2GDC-160L3-4

Cont. output	Max. electrical speed	Base speed (min <sup>-1</sup> ) at armature voltage (V)				Rated armature current	Torque	Efficiency	Armature circuit	
		400	440	460	500				Inductance	Resistance
(kW)	(min <sup>-1</sup> )				(A)	(Nm)	(%)	(mH)	(Ohm)	
23,7	72,0	620			357	990	77,5	19,6	0,95	
26,5	72,0		695		357	990	79,3	19,6	0,95	
28,2	72,0			739	357	990	80,4	19,6	0,95	
30,6	70,8				350	990	81,8	19,6	0,95	
27,7	82,5	725			358	1130	79,8	15,0	0,73	
31,1	82,5		815		358	1130	81,0	15,0	0,73	
32,8	82,5			861	358	1130	82,0	15,0	0,73	
35,6	81,1				351	1130	83,6	15,0	0,73	
33,6	97,0	870			361	1310	82,2	11,0	0,53	
37,3	97,0		970		361	1310	83,6	11,0	0,53	
39,5	97,0			1023	361	1310	84,5	11,0	0,53	
42,6	95,3				354	1310	85,5	11,0	0,53	
40,7	115	1070			357	1590	84,6	7,6	0,37	
45,3	115		1190		357	1590	85,7	7,6	0,37	
47,7	115			1253	357	1590	86,5	7,6	0,37	
51,5	113				350	1590	87,4	7,6	0,37	
42,7	120	1180			340	1900	85,5	6,6	0,33	
47,5	120		1310		340	1900	86,5	6,6	0,33	
49,8	120			1375	340	1900	87,0	6,6	0,33	
54,3	119				336	1900	87,9	6,6	0,33	
52,3	144	1370			357	1985	87,3	4,9	0,24	
58,0	144		1525		357	1985	88,2	4,9	0,24	
61,0	144			1600	357	1985	88,8	4,9	0,24	
65,6	142				350	1985	89,3	4,9	0,24	
56,1	154	1550			339	2450	87,8	4,0	0,21	
62,3	154		1720		339	2450	88,7	4,0	0,21	
65,3	154			1805	339	2450	89,2	4,0	0,21	
70,3	151				333	2450	90,0	4,0	0,21	
70,2	189	1870			351	2690	89,6	2,8	0,14	
77,7	189		2075		351	2690	90,3	2,8	0,14	
81,6	189			2178	351	2690	90,7	2,8	0,14	
87,5	186				344	2690	91,1	2,8	0,14	
78,9	210	2230			331	3480	90,6	2,0	0,10	
87,2	210		2465		331	3480	91,2	2,0	0,10	
91,5	210			2589	331	3480	91,6	2,0	0,10	
98,1	207				325	3480	92,1	2,0	0,10	
94,5	250	2810			315	3500	91,4	1,3	0,07	
104,0	250		3105		315	3500	91,9	1,3	0,07	
109,1	250			3254	315	3500	92,2	1,3	0,07	

1) Cooling air inlet at N-end. Can be used with cooling air inlet a D-end with 10% reduction of output.

Field loss (hot) = 1442 W

IC06/17/37/86W



# Technical data for 2GDC-160LX-4

Cont. output	Max. electrical speed	Base speed (min <sup>-1</sup> ) at armature voltage (V)				Rated armature current	Torque	Efficiency	Armature circuit	
		400	440	460	500				Inductance	Resistance
(kW)	(min <sup>-1</sup> )					(A)	(Nm)	(%)	(mH)	(Ohm)
22,2	715	410				72,0	508	72,0	29,0	1,21
25,1	715		460			72,0	508	74,2	29,0	1,21
26,6	715			489		72,0	508	75,6	29,0	1,21
29,3	715				548	70,8	500	78,0	29,0	1,21
26,3	815	485				82,5	509	74,8	22,2	0,94
29,6	815		545			82,5	510	76,8	22,2	0,94
31,4	815			577		82,5	510	78,1	22,2	0,94
34,4	815				644	81,1	501	80,0	22,2	0,94
32,0	945	585				97,0	514	78,0	16,3	0,69
35,9	945		655			97,0	514	79,7	16,3	0,69
37,9	945			690		97,0	514	80,8	16,3	0,69
41,4	945				769	95,3	505	82,4	16,3	0,69
39,3	1145	725				115	508	81,0	11,3	0,47
43,9	1145		810			115	508	82,4	11,3	0,47
46,2	1145			851		115	508	83,4	11,3	0,47
50,3	1145				947	113	499	84,9	11,3	0,47
41,4	1350	800				120	487	82,0	9,6	0,43
46,2	1350		890			120	487	83,4	9,6	0,43
48,7	1350			935		120	487	84,0	9,6	0,43
52,9	1350				1030	119	481	85,1	9,6	0,43
50,9	1430	935				144	509	84,3	7,3	0,30
56,6	1430		1045			144	509	85,5	7,3	0,30
59,6	1430			1096		144	509	86,2	7,3	0,30
64,6	1430				1207	142	500	87,4	7,3	0,30
54,9	1750	1060				154	487	85,1	5,8	0,27
61,0	1750		1170			154	487	86,2	5,8	0,27
64,1	1750			1235		154	487	86,9	5,8	0,27
69,1	1750				1353	151	478	88,0	5,8	0,27
68,7	1995	1290				189	500	87,4	4,1	0,17
76,4	1995		1430			189	500	88,3	4,1	0,17
80,3	1995			1502		189	500	88,8	4,1	0,17
86,4	1995				1644	186	492	89,6	4,1	0,17
77,9	2510	1540				210	473	89,1	3,0	0,12
86,3	2510		1705			210	473	89,8	3,0	0,12
90,6	2510			1791		210	473	90,3	3,0	0,12
97,4	2510				1962	206	465	91,0	3,0	0,12
93,5	2745	1945				250	450	90,2	1,9	0,09
103,0	2745		2155			250	450	90,8	1,9	0,09
108,1	2745			2261		250	450	91,2	1,9	0,09
116,3	2745				2471	246	442	91,7	1,9	0,09

1) Cooling air inlet at N-end. Can be used with cooling air inlet a D-end with 10% reduction of output.

2) Cooling air inlet at N-end. Can be used with cooling air inlet a D-end with 15% reduction of output.

Field loss (hot) = 2060 W

IC06/17/37/86W





# Technical data for 2GDC-180S1-4

Cont. output	Max. electrical speed	Base speed (min <sup>-1</sup> ) at armature voltage (V)				Rated armature current	Torque	Efficiency	Armature circuit	
		400	440	460	500				Inductance	Resistance
(kW)	(min <sup>-1</sup> )					(A)	(Nm)	(%)	(mH)	(Ohm)
27,5	2300	650				85	400	77,7	15,7	0,73
31,6	2300		730			85	400	79,5	15,7	0,73
32,8	2300			770		85	400	80,3	15,7	0,73
36,0	2300				850	84	397	81,7	15,7	0,73
32,6	1500	750				97	406	80,0	12,4	0,63
36,7	1500		840			97	406	81,5	12,4	0,63
38,8	1500			881		98	406	82,5	12,4	0,63
41,8	1500				981	95	407	84,0	12,4	0,63
37,7	2730	880				111	407	82,2	9,5	0,47
42,8	2730		980			111	407	83,5	9,5	0,47
44,9	2730			1037		111	400	84,4	9,5	0,47
49,0	2730				1144	109	396	85,7	9,5	0,47
43,9	3740	1040				126	396	83,8	7,0	0,37
49,0	3740		1160			126	396	85,0	7,0	0,37
52,0	3740			1223		126	396	85,8	7,0	0,37
56,1	3740				1346	124	389	86,9	7,0	0,37
54,1	3910*	1280				152	398	85,8	4,8	0,26
60,2	3910*		1420			152	398	86,8	4,8	0,26
64,3	3910*			1497		152	398	87,5	4,8	0,26
68,3	3910*				1635	149	391	88,5	4,8	0,26
60,2	2100	1400				166	400	87,0	4,1	0,21
66,3	2100		1560			166	400	87,9	4,1	0,21
69,4	2100			1644		166	400	88,5	4,1	0,21
75,5	2100				1798	163	393	89,4	4,1	0,21
70,4	4500*	1630				192	402	88,0	3,1	0,16
77,5	4500*		1810			192	402	88,9	3,1	0,16
81,6	4500*			1899		192	402	89,4	3,1	0,16
88,7	4500*				2087	189	395	90,2	3,1	0,16
76,5	1950	1840				207	387	88,8	2,5	0,13
80,6	2040		2040			198	370	89,7	2,5	0,13
78,5	2200			2153		184	343	90,4	2,5	0,13
77,5	2470				2375	164	306	91,1	2,5	0,13
90,8	4500*	2220				245	384	90,0	1,7	0,10
101,0	4500*		2460			245	384	90,6	1,7	0,10
106,1	4500*			2574		245	384	91,0	1,7	0,10
118,3	4500*				2817	241	377	91,7	1,7	0,10
112,2	2660	2640				299	400	91,2	1,3	0,06
113,2	2930		2930			272	363	91,9	1,3	0,06
111,2	3140			3073		253	337	92,3	1,3	0,06
114,2	3500				3365	227	318	92,7	1,3	0,06
139,7	3390	3330				368	393	92,2	0,8	0,04
141,8	3960*		3690			338	361	92,7	0,8	0,04
138,7	3950*			3866*		315	335	93,0	0,8	0,04
136,7	4400*				4231*	283	300	93,3	0,8	0,04

1) Cooling air inlet at N-end. Can be used with cooling air inlet a D-end with 15% reduction of output.

IC06/17/37/86W

Field loss (hot) = 1566 W

\*Special design above 3800 rpm.



# Technical data for 2GDC-180M1-4

Cont. output	Max. electrical speed	Base speed (min <sup>-1</sup> ) at armature voltage (V)				Rated armature current	Torque	Efficiency	Armature circuit	
		400	440	460	500				Inductance	Resistance
(kW)	(min <sup>-1</sup> )					(A)	(Nm)	(%)	(mH)	(Ohm)
27,5	1800	540				85	472	75,4	18,7	0,81
30,6	1800		600			85	472	77,3	18,7	0,81
32,1	1800			635		85	472	78,3	18,7	0,81
35,3	1800				705	84	469	79,9	18,7	0,81
31,6	1200	625				97	479	78,2	14,8	0,69
35,7	1200		700			97	479	79,9	14,8	0,69
37,7	1200			739		97	479	81,0	14,8	0,69
40,8	1200				822	95	471	82,7	14,8	0,69
37,7	2360	735				111	480	80,8	11,3	0,52
41,8	2360		820			111	480	82,3	11,3	0,52
43,9	2360			866		111	480	83,2	11,3	0,52
47,9	2360				957	109	472	84,7	11,3	0,52
43,9	3230	875				126	467	82,6	8,3	0,41
49,0	3230		975			126	467	83,9	8,3	0,41
51,0	3230			1028		126	467	84,8	8,3	0,41
56,1	3230				1130	124	459	86,1	8,3	0,41
54,1	3390	1075				152	469	84,9	5,8	0,28
60,2	3390		1195			152	469	86,1	5,8	0,28
63,2	3390			1258		152	469	86,8	5,8	0,28
67,3	3390				1385	149	461	87,9	5,8	0,28
59,2	1700	1175				166	471	85,9	4,9	0,24
66,3	1700		1310			166	471	86,9	4,9	0,24
70,4	1700			1380		166	471	87,6	4,9	0,24
74,5	1700				1514	163	463	88,6	4,9	0,24
69,4	4200*	1375				192	474	87,7	3,7	0,17
77,5	4200*		1530			192	474	88,4	3,7	0,17
81,6	4200*			1605		192	474	89,0	3,7	0,17
87,7	4200*				1760	189	456	89,8	3,7	0,17
75,5	2500	1550				207	453	88,1	3,0	0,15
83,6	2500		1720			207	457	89,0	3,0	0,15
87,7	2500			1820		207	457	89,7	3,0	0,15
94,9	2500				2000	205	452	90,6	3,0	0,15
90,8	4500*	1870				245	453	89,3	2,1	0,11
100,0	4500*		2070			245	453	90,0	2,1	0,11
105,1	4500*			2173		245	453	90,5	2,1	0,11
113,2	4500*				2380	241	445	91,2	2,1	0,11
112,2	2300	2230				299	471	90,8	1,5	0,07
115,3	2470		2470			278	438	91,6	1,5	0,07
111,2	2660			2603		259	407	92,0	1,5	0,07
111,2	2960				2846	232	364	92,5	1,5	0,07
138,7	2930	2810				368	464	91,8	1,0	0,05
144,8	3110		3110			346	436	92,4	1,0	0,05
142,8	3340			3269		322	405	92,7	1,0	0,05
138,7	3720				3577	289	363	93,0	1,0	0,05
171,4	4000*	3800				450	424	92,8	0,5	0,03

1) Cooling air inlet at N-end. Can be used with cooling air inlet a D-end with 15% reduction of output.

IC06/17/37/86W

Field loss (hot) = 1720 W

\*Special design above 3800 rpm.



# Technical data for 2GDC-180L1-4

Cont. output	Max. electrical speed	Base speed (min <sup>-1</sup> ) at armature voltage (V)				Rated armature current	Torque	Efficiency	Armature circuit	
		400	440	460	500				Inductance	Resistance
(kW)	(min <sup>-1</sup> )					(A)	(Nm)	(%)	(mH)	(Ohm)
31,6	900	490				101	613	75,4	18,1	0,69
35,7	900		550			101	613	77,4	18,1	0,69
37,7	900			587		101	613	78,6	18,1	0,69
41,8	900				649	99	603	80,6	18,1	0,69
38,8	1860	575				117	621	78,0	13,9	0,53
42,8	1860		645			117	621	79,8	13,9	0,53
45,9	1860			685		117	621	80,9	13,9	0,53
50,0	1860				760	115	611	82,6	13,9	0,53
44,9	2550	690				132	601	80,3	10,2	0,40
50,0	2550		775			132	601	81,9	10,2	0,40
53,0	2550			817		132	601	82,8	10,2	0,40
57,1	2550				904	130	590	84,4	10,2	0,40
55,1	2690	850				159	603	82,9	7,1	0,28
61,2	2690		950			159	603	84,2	7,1	0,28
65,3	2690			1003		159	603	85,0	7,1	0,28
69,4	2690				1106	156	593	86,3	7,1	0,28
61,2	1360	940				174	607	84,4	6,0	0,26
68,3	1360		1050			174	607	85,5	6,0	0,26
71,4	1360			1106		174	607	86,3	6,0	0,26
77,5	1360				1216	171	597	87,4	6,0	0,26
71,4	3330	1100				201	610	86,1	4,5	0,19
79,6	3330		1225			201	610	87,1	4,5	0,19
83,6	3330			1292		201	610	87,8	4,5	0,19
92,8	3330				1418	198	599	88,8	4,5	0,19
78,5	1330	1240				218	591	86,7	3,6	0,17
84,7	1380		1380			211	571	87,8	3,6	0,17
82,6	1500			1468		195	528	88,7	3,6	0,17
80,6	1680				1615	173	469	89,8	3,6	0,17
94,9	4500*	1510				258	587	88,5	2,5	0,12
105,1	4500*		1670			258	587	89,3	2,5	0,12
110,2	4500*			1757		258	587	89,8	2,5	0,12
118,3	4500*				1923	254	576	90,5	2,5	0,12
117,3	1810	1795				315	610	89,9	1,8	0,08
118,3	2000		2000			286	553	90,8	1,8	0,08
115,3	2150			2104		266	513	91,4	1,8	0,08
113,2	2400				2308	238	458	92,0	1,8	0,08
144,8	2310	2270				386	598	91,1	1,2	0,05
146,9	2520		2520			354	547	91,8	1,2	0,05
143,8	2710			2652		329	508	92,2	1,2	0,05
140,8	3020				2904	295	454	92,7	1,2	0,05
170,3	4000*	3080				450	521	92,3	0,7	0,03
188,7	4000*		3400			450	521	92,7	0,7	0,03
197,9	4000*			3563		450	520	93,0	0,7	0,03

1) Cooling air inlet at N-end. Can be used with cooling air inlet a D-end with 15% reduction of output.

IC06/17/37/86W

Field loss (hot) = 1957 W

\*Special design above 3800 rpm.



# Technical data for 2GDC-180LX1-4

Cont. output	Max. electrical speed	Base speed (min <sup>-1</sup> ) at armature voltage (V)				Rated armature current	Torque	Efficiency	Armature circuit	
		400	440	460	500				Inductance	Resistance
(kW)	(min <sup>-1</sup> )					(A)	(Nm)	(%)	(mH)	(Ohm)
33,7	1500	450				105	688	74,6	17,1	0,77
37,7	1500		510			105	688	76,6	17,1	0,77
39,8	1500			538		105	688	77,8	17,1	0,77
42,8	1500				601	103	676	79,8	17,1	0,77
40,8	2210	545				125	702	77,7	12,6	0,55
45,9	2210		610			125	702	79,4	12,6	0,55
49,0	2210			646		125	702	80,5	12,6	0,55
53,0	2210				716	123	690	82,3	12,6	0,55
52,0	2310	680				152	712	81,2	8,7	0,37
58,1	2310		760			152	712	82,6	8,7	0,37
60,2	2310			803		152	712	83,5	8,7	0,37
66,3	2310				885	149	700	85,0	8,7	0,37
54,1	1100	760				155	668	83,2	7,4	0,30
60,2	1100		845			155	668	84,4	7,4	0,30
64,3	1100			891		155	668	85,3	7,4	0,30
68,3	1100				981	152	656	86,5	7,4	0,30
65,3	2930	875				187	701	84,1	5,6	0,24
73,4	2930		975			187	701	85,3	5,6	0,24
76,5	2930			1028		187	701	86,1	5,6	0,24
83,6	2930				1135	184	688	87,2	5,6	0,24
69,4	1300	1000				194	649	85,8	4,5	0,19
77,5	1300		1110			194	649	86,8	4,5	0,19
80,6	1340			1174		194	649	87,4	4,5	0,19
86,7	1340				1288	189	631	88,4	4,5	0,19
88,7	4500*	1210				246	691	87,3	3,1	0,14
98,9	4500*		1340			246	691	88,2	3,1	0,14
104,0	4500*			1409		246	691	88,8	3,1	0,14
112,2	4500*				1548	242	679	89,6	3,1	0,14
103,0	1770	1445				280	669	89,1	2,3	0,09
114,2	1770		1605			280	669	89,8	2,3	0,09
120,4	1770			1683		280	669	90,3	2,3	0,09
121,4	1925				1851	257	614	91,1	2,3	0,09
128,5	2250	1835				344	657	90,5	1,5	0,06
142,8	2250		2030			344	657	91,1	1,5	0,06
149,9	2250			2129		344	657	91,4	1,5	0,06
152,0	2425				2331	320	609	92,0	1,5	0,06
169,3	4000*	2470				450	644	91,6	0,8	0,04
187,7	4000*		2730			450	644	92,1	0,8	0,04
196,9	4000*			2868		450	643	92,3	0,8	0,04
211,1	4000*				3125	442	631	92,7	0,8	0,04

1) Cooling air inlet at N-end. Can be used with cooling air inlet a D-end with 10% reduction of output.

Field loss (hot) = 2307 W

\*Special design above 3800 rpm.

IC06/17/37/86W



# Technical data for 2GDC-180X1-4

Cont. output	Max. electrical speed	Base speed (min <sup>-1</sup> ) at armature voltage (V)				Rated armature current	Torque	Efficiency	Armature circuit	
		400	440	460	500				Inductance	Resistance
(kW)	(min <sup>-1</sup> )					(A)	(Nm)	(%)	(mH)	(Ohm)
50,0	1700	570				148	815	79,6	10,3	0,42
55,1	1700		635			148	815	81,1	10,3	0,42
59,2	1700			587		148	815	82,1	10,3	0,42
64,3	1700				745	146	801	83,7	10,3	0,42
55,1	920	630				162	820	81,1	8,7	0,34
61,2	920		705			162	820	82,6	8,7	0,34
65,3	920			744		162	820	83,5	8,7	0,34
70,4	920				817	159	806	84,9	8,7	0,34
63,2	2450	735				181	795	82,8	6,6	0,27
70,4	2450		820			181	795	84,1	6,6	0,27
73,4	2450			851		181	795	84,9	6,6	0,27
79,6	2450				952	178	783	86,1	6,6	0,27
71,4	1070	835				202	790	84,2	5,3	0,22
78,5	1070		930			202	790	85,3	5,3	0,22
82,6	1070			979		202	790	86,1	5,3	0,22
88,7	1125				1082	194	761	87,3	5,3	0,22
85,7	3400*	1020				239	789	86,3	3,7	0,15
95,9	3400*		1130			239	789	87,3	3,7	0,15
100,0	3400*			1189		239	789	87,9	3,7	0,15
108,1	3400*				1308	235	775	88,8	3,7	0,15
106,1	1450	1215				292	821	88,0	2,7	0,11
118,3	1450		1345			292	821	88,8	2,7	0,11
123,4	1450			1414		292	821	89,3	2,7	0,11
122,4	1620				1558	263	736	90,3	2,7	0,11
132,6	3000	1545				358	805	89,6	1,7	0,07
146,9	3000		1710			358	805	90,2	1,7	0,07
153,0	3000			1796		358	805	90,7	1,7	0,07
153,0	3000				1971	324	727	91,4	1,7	0,07
169,3	3200	2100				450	757	91,2	1,0	0,05
186,7	3200		2320			450	756	91,7	1,0	0,05
195,8	3200			2427		450	756	92,0	1,0	0,05
210,1	3200				2654	442	742	92,4	1,0	0,05

1) Cooling air inlet at N-end. Can be used with cooling air inlet a D-end with 15% reduction of output.

IC06/17/37/86W

Field loss (hot) = 2472 W

\*Special design above 3200 rpm.



# Technical data for 2GDC-180Y1-4

Cont. output	Max. electrical speed	Base speed (min <sup>-1</sup> ) at armature voltage (V)				Rated armature current	Torque	Efficiency	Armature circuit	
		400	440	460	500				Inductance	Resistance
(kW)	(min <sup>-1</sup> )					(A)	(Nm)	(%)	(mH)	(Ohm)
67,3	1200	610				194	1024	82,5	10,5	0,26
75,5	1200		680			194	1024	83,8	10,5	0,26
78,5	1200			724		194	1024	84,6	10,5	0,26
85,7	1200				798	190	1007	85,9	10,5	0,26
67,3	1050	670				196	930	81,5	8,5	0,29
74,5	1050		750			196	930	82,8	8,5	0,29
79,6	1050			793		196	930	83,7	8,5	0,29
85,7	1050				875	192	914	85,1	8,5	0,29
76,5	1200	770				220	928	83,1	6,8	0,22
85,7	1200		860			220	927	84,3	6,8	0,22
89,8	1200			900		220	927	85,1	6,8	0,22
96,9	1200				1000	216	911	86,3	6,8	0,22
91,8	1350	880				255	977	86,4	5,6	0,14
102,0	1350		980			255	977	87,4	5,6	0,14
107,1	1350			1028		255	977	88,0	5,6	0,14
115,3	1350				1125	250	960	88,9	5,6	0,14
87,7	1400	890				249	918	84,5	5,2	0,18
97,9	1400		990			249	918	85,6	5,2	0,18
103,0	1400			1047		249	918	86,3	5,2	0,18
111,2	1400				1154	244	902	87,4	5,2	0,18
105,1	1700	1060				294	929	86,3	3,8	0,13
116,3	1700		1180			294	929	87,2	3,8	0,13
122,4	1700			1243		294	929	87,8	3,8	0,13
132,6	1700				1356	289	913	88,7	3,8	0,13
144,8	2500	1310				394	1039	89,5	2,6	0,06
161,2	2500		1450			394	1039	90,2	2,6	0,06
169,3	2500			1527		394	1039	90,6	2,6	0,06
182,6	2500				1673	387	1021	91,2	2,6	0,06
177,5	2800	1850				474	905	91,2	1,4	0,05
196,9	2800		2040			474	904	91,7	1,4	0,05
206,0	2800			2143		474	904	92,0	1,4	0,05
221,3	2800				2337	465	888	92,4	1,4	0,05

1) Cooling air inlet at N-end. Can be used with cooling air inlet a D-end with 15% reduction of output.

IC06/17/37/86W

Field loss (hot) = 2730 W



# Technical data for 2GDC-200S-4

Cont. output	Max. electrical speed	Base speed (min <sup>-1</sup> ) at armature voltage (V)				Rated armature current	Torque	Efficiency	Armature circuit		Field loss
		400	440	460	500				Inductance	Resistance	
(kW)	(min <sup>-1</sup> )					(A)	(Nm)	(%)	(mH)	(Ohm)	(W)
45,1	1980	580				136	728	80,9	9,3	0,494	2060
50,5	1980		650			136	727	82,4	9,3	0,495	2060
53,1	1980			685		136	726	83,1	9,3	0,495	2060
58,5	1980				755	136	726	84,2	9,3	0,495	2060
58,0	2540	750				169	725	84,2	6,2	0,319	2060
64,8	2540		835			169	726	85,3	6,2	0,320	2060
68,1	2540			880		169	725	85,8	6,2	0,320	2060
74,8	2450				965	169	725	86,7	6,2	0,321	2060
65,4	2400	845				187	724	85,3	5,2	0,261	2020
72,8	2400		940			187	725	86,4	5,2	0,261	2020
76,5	2400			990		187	723	86,9	5,2	0,262	2020
83,9	2300				1090	187	721	87,7	5,2	0,262	2020
83,1	1950	1090				232	714	87,5	3,3	0,170	2020
92,4	1950		1210			233	715	88,4	3,3	0,170	2020
96,9	1950			1270		232	714	88,7	3,3	0,171	2020
105,1	1950				1390	230	708	89,5	3,3	0,170	2020
98,3	3020	1320				271	697	88,7	2,3	0,125	2050
108,1	3020		1460			268	693	89,5	2,3	0,125	2050
114,2	3020			1530		271	699	89,7	2,3	0,126	2050
124,4	3020				1680	270	694	90,3	2,3	0,126	2050
111,2	4000	1550				300	672	90,6	1,6	0,083	2300
123,4	4000		1720			301	672	91,0	1,6	0,084	2300
129,5	4000			1800		302	674	91,2	1,6	0,085	2300
140,8	4000				1970	301	669	91,6	1,6	0,085	2300
137,7	4000	1880				370	686	90,9	1,3	0,066	2020
152,0	4000		2080			370	684	91,4	1,3	0,066	2020
159,1	4000			2180		369	683	91,6	1,3	0,067	2020
174,4	4000				2380	371	686	91,9	1,3	0,068	2020
156,1	4000	2200				415	664	92,0	0,84	0,045	2300
172,4	4000		2440			415	661	92,3	0,84	0,045	2300
179,5	4000			2550		413	659	92,4	0,84	0,046	2300
185,6	4000				2770	391	627	92,8	0,84	0,045	2300
164,2	4000	2480				435	620	92,3	0,60	0,035	2550
180,5	4000		2730			434	619	92,5	0,60	0,036	2550
176,5	4000	3120				464	530	93,0	0,41	0,022	2440

IC06/17/37/86W



# Technical data for 2GDC-200M-4

Cont. output	Max. electrical speed	Base speed (min <sup>-1</sup> ) at armature voltage (V)				Rated armature current	Torque	Efficiency	Armature circuit		Field loss
		400	440	460	500				Inductance	Resistance	
(kW)	(min <sup>-1</sup> )					(A)	(Nm)	(%)	(mH)	(Ohm)	(W)
43,5	1620	465				134	875	79,2	11,6	0,557	2200
48,8	1640		525			134	870	80,8	11,6	0,559	2200
51,4	1640			555		134	867	81,5	11,6	0,560	2200
56,7	1640				610	134	870	82,8	11,6	0,560	2200
56,0	2110	605				165	867	82,8	7,8	0,362	2190
62,6	2050		675			166	869	84,1	7,8	0,363	2190
65,9	2020			710		166	869	84,6	7,8	0,363	2190
72,4	1960				780	165	869	85,7	7,8	0,364	2190
63,2	2000	675				184	877	84,1	6,4	0,296	2220
70,5	1970		755			184	874	85,3	6,4	0,296	2220
74,2	1930			795		184	873	85,8	6,4	0,296	2220
100,8	1840				870	184	876	86,7	6,4	0,297	2220
80,9	1610	885				229	856	86,5	4,2	0,193	2050
89,9	1610		985			228	854	87,5	4,2	0,193	2050
94,4	1610			1040		228	849	87,9	4,2	0,193	2050
103,0	1560				1140	227	846	88,7	4,2	0,193	2050
96,1	2480	1060				267	849	87,9	2,9	0,142	2190
106,1	2480		1180			266	842	88,8	2,9	0,142	2190
111,2	2480			1240		265	839	89,1	2,9	0,142	2190
121,4	2480				1350	265	842	89,7	2,9	0,143	2190
110,2	4000	1240				299	832	90,0	1,9	0,095	2490
121,4	4000		1380			298	824	90,6	1,9	0,095	2490
127,5	4000			1440		299	829	90,8	1,9	0,096	2490
138,7	4000				1580	297	822	91,3	1,9	0,096	2490
134,6	4000	1490				365	846	90,3	1,6	0,076	2220
148,9	4000		1650			364	845	90,8	1,6	0,076	2220
156,1	4000			1730		364	845	91,1	1,6	0,077	2220
169,3	3920				1890	362	839	91,5	1,6	0,077	2220
154,0	3590	1780				411	810	91,6	1,0	0,051	2320
170,3	3590		1970			412	810	92,0	1,0	0,052	2320
177,5	3590			2070		410	803	92,2	1,0	0,052	2320
193,8	3500				2250	410	806	92,4	1,0	0,053	2320
161,2	4000	1990				428	758	92,1	0,75	0,041	2570
177,5	4000		2200			427	755	92,4	0,75	0,041	2570
184,6	4000			2310		424	748	92,5	0,75	0,041	2570
195,8	4000				2510	413	731	92,8	0,75	0,041	2570
198,9	4000	2490				525	748	92,7	0,51	0,027	2630

IC06/17/37/86W





# Technical data for 2GDC-200L-4

Cont. output	Max. electrical speed	Base speed (min <sup>-1</sup> ) at armature voltage (V)				Rated armature current	Torque	Efficiency	Armature circuit		Field loss
		400	440	460	500				Inductance	Resistance	
42,0	1340	385				133	1022	76,9	14,5	0,631	2370
47,4	1370		430			134	1033	78,7	14,5	0,634	2370
50,1	1370			455		134	1031	79,6	14,5	0,634	2370
55,3	1370				505	133	1025	81,1	14,5	0,634	2370
54,5	1680	505				164	1010	81,0	9,7	0,411	2210
61,0	1650		570			164	1002	82,5	9,7	0,411	2210
64,3	1620			600		164	1003	83,1	9,7	0,012	2210
70,7	1570				660	164	1003	84,3	9,7	0,412	2210
61,6	1640	570				183	1012	82,5	8,1	0,335	2240
68,9	1580		635			182	1015	83,9	8,1	0,336	2240
72,5	1550			670		183	1013	84,5	8,1	0,336	2240
79,8	1480				740	183	1009	85,5	8,1	0,337	2240
78,6	1370	735				225	1002	85,4	5,2	0,219	2270
87,6	1370		820			225	1000	86,4	5,2	0,220	2270
92,0	1350			865		225	996	86,9	5,2	0,220	2270
101,0	1260				950	225	995	87,7	5,2	0,221	2270
94,7	2080	900				266	985	86,9	3,6	0,161	2180
105,1	2080		1000			266	984	87,8	3,6	0,161	2180
110,2	2080			1050		265	982	88,3	3,6	0,161	2180
120,4	2080				1150	265	980	89,0	3,6	0,161	2180
108,1	3710	1060				296	955	89,4	2,4	0,107	2510
120,4	3930		1170			297	963	90,0	2,4	0,108	2510
125,5	3880			1230		295	955	90,4	2,4	0,107	2510
137,7	3720				1340	297	962	90,8	2,4	0,108	2510
132,6	3420	1270				362	978	89,7	2,0	0,085	2240
146,9	3400		1400			362	982	90,3	2,0	0,086	2240
154,0	3330			1470		361	981	90,6	2,0	0,086	2240
168,3	3150				1610	362	979	91,1	2,0	0,086	2240
151,0	3060	1490				404	949	91,3	1,3	0,057	2540
167,3	3060		1650			405	949	91,7	1,3	0,058	2540
175,4	3060			1730		406	949	91,9	1,3	0,058	2540
190,7	2850				1890	404	945	92,3	1,3	0,059	2540
161,2	4000	1670				429	904	91,9	0,94	0,045	2760
177,5	4000		1850			428	898	92,3	0,94	0,046	2760
185,6	4000			1930		427	901	92,4	0,94	0,046	2760
202,0	4000				2110	426	896	92,7	0,94	0,047	2760
203,0	4000	2090				536	909	92,7	0,63	0,030	2800
218,3	4000		2310			522	885	93,0	0,63	0,030	2800
218,3	4000			2410		498	848	93,2	0,63	0,029	2800
219,3	4000	2300				577	893	92,9	0,53	0,025	2830

IC06/17/37/86W



# Technical data for 2GDC-225S-4

Cont. output	Max. electrical speed	Base speed (min <sup>-1</sup> ) at armature voltage (V)				Rated armature current	Torque	Efficiency	Armature circuit		Field loss
		400	440	460	500				Inductance	Resistance	
(kW)	(min <sup>-1</sup> )					(A)	(Nm)	(%)	(mH)	(Ohm)	(W)
47,7	1220	350				152	1277	76,9	14,9	0,56	2450
53,8	1350		395			152	1274	78,8	14,9	0,56	2450
56,8	1350			420		152	1267	79,6	14,9	0,56	2450
62,8	1350				460	152	1279	81,0	14,9	0,56	2450
56,2	1450	415				172	1268	79,8	11,0	0,42	2500
63,0	1620		465			172	1269	81,4	11,0	0,43	2500
66,5	1710			490		172	1271	82,1	11,0	0,43	2500
73,3	1680				540	172	1272	83,3	11,0	0,43	2500
70,8	1610	520				209	1275	82,8	7,9	0,29	2500
79,2	1610		580			209	1278	84,1	7,9	0,29	2500
83,3	1610			610		209	1279	84,6	7,9	0,29	2500
91,6	1560				670	209	1280	85,7	7,9	0,29	2500
90,1	1330	655				258	1287	85,3	5,4	0,19	2530
100,4	1330		730			258	1287	86,4	5,4	0,19	2530
105,1	1330			770		257	1277	87,0	5,4	0,19	2530
115,3	1330				845	257	1277	87,8	5,4	0,19	2530
107,1	2710	795				301	1261	87,0	3,7	0,14	2450
119,3	2710		885			302	1263	87,9	3,7	0,14	2450
125,5	2710			930		302	1263	88,2	3,7	0,14	2450
137,7	2710				1020	303	1264	88,9	3,7	0,14	2450
123,4	3250	930				342	1243	88,3	2,8	0,11	2420
136,7	3480		1030			341	1242	89,1	2,8	0,11	2420
143,8	3480			1080		342	1247	89,4	2,8	0,11	2420
157,1	3480				1190	341	1236	90,0	2,8	0,11	2420
152,0	3250	1130				414	1259	89,7	2,0	0,07	2500
168,3	3250		1250			414	1261	90,4	2,0	0,07	2500
176,5	3250			1310		414	1261	90,6	2,0	0,08	2500
192,8	3250				1430	414	1262	91,1	2,0	0,08	2500
173,4	2960	1330				465	1221	91,2	1,3	0,05	2870
191,8	2960		1470			465	1221	91,6	1,3	0,05	2870
199,9	2960			1540		463	1215	91,9	1,3	0,05	2870
218,3	2960				1680	463	1216	92,2	1,3	0,05	2870
202,0	3600	1600				537	1182	92,0	0,92	0,04	2770
223,4	3600		1770			538	1182	92,3	0,92	0,04	2770
233,6	3600			1860		537	1176	92,5	0,92	0,04	2770
255,0	3600				2030	538	1176	92,8	0,92	0,04	2770
230,5	3600	1830				610	1179	92,4	0,71	0,03	2810
254,0	3600		2020			609	1177	92,7	0,71	0,03	2810
266,2	3600			2120		610	1176	92,9	0,71	0,03	2810
289,7	3600				2310	609	1174	93,1	0,71	0,03	2810
255,0	3600	2110				671	1132	93,0	0,52	0,02	3030
281,5	3600		2330			671	1131	93,2	0,52	0,02	3030
293,8	3600			2440		669	1127	93,3	0,52	0,02	3030
318,2	3600				2660	666	1120	93,5	0,52	0,02	3030
293,8	3600	2480				771	1109	93,1	0,37	0,02	2920
308,0	3600		2740			734	1053	93,4	0,37	0,02	2920

IC06/17/37/86W



# Technical data for 2GDC-225M-4

Cont. output	Max. electrical speed	Base speed (min <sup>-1</sup> ) at armature voltage (V)				Rated armature current	Torque	Efficiency	Armature circuit		Field loss
		400	440	460	500				Inductance	Resistance	
(kW)	(min <sup>-1</sup> )					(A)	(Nm)	(%)	(mH)	(Ohm)	(W)
45,4	980	280				147	1518	75,7	17,7	0,61	2780
51,2	1100		315			146	1522	77,7	17,7	0,61	2780
54,2	1170			335		147	1514	78,6	17,7	0,61	2780
60,0	1190				370	147	1518	80,1	17,7	0,62	2780
53,7	1170	335				167	1499	78,7	13,1	0,46	2710
60,3	1310		375			167	1505	80,3	13,1	0,47	2710
63,5	1380			395		167	1506	81,1	13,1	0,47	2710
70,2	1440				435	167	1510	82,4	13,1	0,47	2710
67,7	1420	415				202	1528	81,9	9,4	0,32	2810
75,9	1400		465			203	1528	83,2	9,4	0,32	2810
79,9	1380			490		202	1526	83,9	9,4	0,32	2810
87,9	1330				540	202	1524	85,0	9,4	0,47	2810
86,5	1170	530				250	1528	84,6	6,4	0,32	2620
96,5	1170		595			250	1518	85,7	6,4	0,32	2620
101,5	1170			625		250	1520	86,2	6,4	0,32	2620
111,2	1170				685	250	1520	87,2	6,4	0,32	2620
102,0	2240	640				288	1492	86,5	4,4	0,21	2810
114,2	2400		715			291	1496	87,3	4,4	0,21	2810
119,3	2400			750		289	1490	87,8	4,4	0,21	2810
131,6	2400				820	291	1502	88,5	4,4	0,21	2810
119,3	2620	750				333	1490	87,7	3,3	0,16	2710
132,6	2920		835			333	1487	88,5	3,3	0,16	2710
138,7	3060			875		332	1484	88,9	3,3	0,16	2710
152,0	3060				960	332	1482	89,5	3,3	0,16	2710
146,9	2860	915				402	1503	89,3	2,4	0,12	2810
163,2	2860		1010			404	1513	89,9	2,4	0,12	2810
171,4	2860			1060		404	1514	90,2	2,4	0,20	2810
186,7	2860				1160	402	1507	90,8	2,4	0,12	2810
167,3	2610	1090				450	1437	90,8	1,6	0,08	2990
184,6	2610		1200			449	1440	91,3	1,6	0,08	2990
193,8	2610			1260		450	1440	91,5	1,6	0,08	2990
211,1	2610				1380	450	1433	91,9	1,6	0,08	2990
195,8	3310	1310				523	1400	91,6	1,1	0,06	3120
217,3	3310		1450			525	1403	92,0	1,1	0,06	3120
226,4	3310			1520		522	1395	92,2	1,1	0,06	3120
246,8	3310				1650	522	1401	92,5	1,1	0,06	3120
224,4	3370	1500				596	1401	92,1	0,85	0,04	3160
246,8	3370		1650			593	1401	92,5	0,85	0,04	3160
258,1	3370			1730		593	1397	92,6	0,85	0,04	3160
281,5	3370				1890	593	1395	92,9	0,85	0,04	3160
248,9	3500	1710				656	1339	92,8	0,62	0,03	3410
274,4	3500		1920			656	1338	93,0	0,62	0,02	3410
286,6	3500			2010		654	1335	93,1	0,62	0,02	3410
311,1	3500				2190	652	1330	93,3	0,62	0,02	3410
283,6	3600	2040				746	1301	92,9	0,44	0,02	3410
302,9	3600		2250			723	1261	93,2	0,44	0,02	3410
302,9	3600			2350		691	1207	93,3	0,44	0,02	3410

IC06/17/37/86W



# Technical data for 2GDC-225L-4

Cont. output	Max. electrical speed	Base speed (min <sup>-1</sup> ) at armature voltage (V)				Rated armature current	Torque	Efficiency	Armature circuit		Field loss
		400	440	460	500				Inductance	Resistance	
(kW)	(min <sup>-1</sup> )					(A)	(Nm)	(%)	(mH)	(Ohm)	(W)
42,2	840	240				139	1647	74,0	21,3	0,694	2920
47,8	940		270			140	1659	76,1	21,3	0,695	2920
50,6	990			285		139	1662	77,1	21,3	0,695	2920
56,2	1070				320	140	1644	78,7	21,3	0,697	2920
50,0	990	285				158	1642	77,2	15,7	0,528	2840
56,3	1130		325			158	1622	79,1	15,7	0,529	2840
59,4	1190			340		158	1635	79,9	15,7	0,529	2840
65,7	1250				375	158	1640	81,3	15,7	0,531	2840
63,3	1240	355				192	1671	80,7	11,3	0,362	2970
71,0	1220		400			192	1662	82,2	11,3	0,362	2970
74,9	1200			420		192	1669	82,9	11,3	0,363	2970
82,5	1160				465	192	1661	84,1	11,3	0,363	2970
81,0	1060	455				237	1667	83,7	7,7	0,240	3010
90,4	1060		510			236	1659	85,0	7,7	0,241	3010
95,1	1060			535		236	1664	85,6	7,7	0,241	3010
104,0	1040				590	235	1651	86,6	7,7	0,241	3010
97,6	1940	555				279	1647	85,5	5,3	0,176	2920
108,1	2150		620			277	1633	86,7	5,3	0,176	2920
114,2	2150			650		279	1646	87,0	5,3	0,177	2920
124,4	2150				715	277	1630	88,0	5,3	0,176	2920
112,2	2250	645				315	1629	87,1	3,9	0,134	3090
124,4	2500		715			314	1630	88,1	3,9	0,134	3090
130,6	2620			750		314	1630	88,5	3,9	0,134	3090
143,8	2750				825	316	1632	89,1	3,9	0,135	3090
138,7	2580	800				382	1624	88,9	2,8	0,092	2970
154,0	2580		885			382	1629	89,6	2,8	0,092	2970
162,2	2580			930		384	1633	89,9	2,8	0,093	2970
176,5	2530				1020	382	1620	90,5	2,8	0,093	2970
158,1	2350	940				427	1575	90,6	1,9	0,063	3420
175,4	2350		1040			428	1579	91,1	1,9	0,063	3420
183,6	2350			1090		427	1577	91,4	1,9	0,064	3420
199,9	2350				1190	426	1573	91,8	1,9	0,064	3420
185,6	2980	1140				496	1525	91,5	1,3	0,047	3380
206,0	2980		1260			498	1531	91,9	1,3	0,047	3380
215,2	2980			1320		497	1527	92,2	1,3	0,047	3380
234,6	2980				1440	496	1525	92,5	1,3	0,047	3380
212,2	3060	1300				564	1528	92,1	1,0	0,036	3380
234,6	3060		1430			564	1536	92,5	1,0	0,036	3380
245,8	3060			1500		564	1534	92,6	1,0	0,037	3380
268,3	3060				1640	565	1531	92,9	1,0	0,037	3380
236,6	3160	1510				623	1467	92,9	0,74	0,026	3530
261,1	3160		1670			623	1464	93,2	0,74	0,026	3530
273,4	3160			1750		623	1463	93,3	0,74	0,026	3530
297,8	3160				1910	623	1460	93,5	0,74	0,027	3530
270,3	3600	1770				710	1430	93,1	0,52	0,020	3730
298,9	3600		1950			712	1435	93,4	0,52	0,020	3730
312,1	3600			2050		710	1426	93,5	0,52	0,020	3730
338,6	3600				2230	708	1422	93,6	0,52	0,020	3730

IC06/17/37/86W



# Technical data for 2GDC-250S-4

Cont. output	Max. electrical speed	Base speed (min <sup>-1</sup> ) at armature voltage (V)				Rated armature current	Torque	Efficiency	Armature circuit		Field loss
		400	440	460	500				Inductance	Resistance	
(kW)	(min <sup>-1</sup> )					(A)	(Nm)	(%)	(mH)	(Ohm)	(W)
69,3	1100	315				221	2059	76,7	11,5	0,39	3520
78,1	1110		355			221	2061	78,5	11,5	0,39	3520
82,5	1110			375		221	2060	79,4	11,5	0,39	3520
91,2	1110				415	221	2057	80,8	11,5	0,39	3520
87,7	1060	395				267	2079	80,3	8,3	0,27	3660
98,4	1060		445			267	2071	81,9	8,3	0,27	3660
103,0	1060			470		264	2052	82,8	8,3	0,27	3660
114,2	1060				515	267	2077	83,8	8,3	0,27	3660
99,3	1020	445				297	2090	81,8	6,9	0,22	3710
111,2	1020		500			297	2082	83,2	6,9	0,22	3710
116,3	1020			525		294	2074	84,1	6,9	0,22	3710
128,5	1020				580	296	2075	85,0	6,9	0,22	3710
113,2	970	510				332	2079	83,3	5,6	0,18	3760
125,5	970		565			329	2079	84,8	5,6	0,18	3760
132,6	970			595		331	2087	85,3	5,6	0,18	3760
119,3	1870	550				348	2032	83,9	4,8	0,16	3610
133,6	1870		615			349	2034	85,1	4,8	0,16	3610
139,7	1870			645		347	2028	85,7	4,8	0,16	3610
154,0	1870				710	348	2031	86,6	4,8	0,16	3610
156,1	2240	725				440	2015	86,8	2,9	0,10	3520
173,4	2240		810			439	2004	87,8	2,9	0,10	3520
182,6	2240			850		441	2011	88,1	2,9	0,10	3520
199,9	2240				930	440	2013	88,9	2,9	0,10	3520
176,5	2340	850				484	1944	89,2	2,1	0,07	4150
195,8	2340		940			484	1951	89,9	2,1	0,07	4150
205,0	2340			985		483	1949	90,2	2,1	0,07	4150
224,4	2340				1080	484	1945	90,7	2,1	0,07	4150
196,9	2270	945				536	1950	89,9	1,7	0,06	4210
218,3	2270		1050			536	1946	90,5	1,7	0,06	4210
228,5	2270			1100		535	1945	90,8	1,7	0,06	4210
249,9	2270				1200	536	1950	91,2	1,7	0,06	4210
221,3	2170	1060				598	1955	90,5	1,4	0,05	4210
244,8	2170		1170			597	1959	91,1	1,4	0,05	4210
257,0	2170			1230		599	1957	91,3	1,4	0,05	4210
280,5	2170				1350	598	1945	91,8	1,4	0,05	4210
237,7	2690	1240				635	1794	91,5	0,96	0,04	4480
263,2	2690		1370			637	1798	91,9	0,96	0,04	4480
275,4	2690			1440		636	1791	92,1	0,96	0,04	4480
300,9	2690				1570	637	1794	92,4	0,96	0,04	4480
271,3	2720	1420				722	1789	91,9	0,74	0,03	4540
299,9	2720		1570			723	1788	92,3	0,74	0,03	4540
314,2	2720			1640		723	1794	92,4	0,74	0,03	4540
331,5	2810				1790	699	1734	92,8	0,74	0,03	4540
330,5	2930	1720				872	1799	92,7	0,54	0,02	4410
351,9	3040		1900			840	1734	93,1	0,54	0,02	4410
357,0	3130			1980		814	1688	93,3	0,54	0,02	4410
361,1	3200				2150	754	1572	93,7	0,54	0,02	4410
345,8	3200	2030				908	1595	93,2	0,38	0,01	4290
345,8	3200		2220			823	1458	93,4	0,38	0,01	4290
357,0	3200	2200				934	1519	93,5	0,33	0,01	4290

IC06/17/37/86W



# Technical data for 2GDC-250M-4

Cont. output	Max. electrical speed	Base speed (min <sup>-1</sup> ) at armature voltage (V)				Rated armature current	Torque	Efficiency	Armature circuit		Field loss
		400	440	460	500				Inductance	Resistance	
(kW)	(min <sup>-1</sup> )					(A)	(Nm)	(%)	(mH)	(Ohm)	(W)
65,7	910	260				212	2365	75,7	14,3	0,425	3860
74,3	990		295			213	2357	77,6	14,3	0,426	3860
78,4	990			310		212	2369	78,5	14,3	0,426	3860
86,9	990				345	212	2358	80,0	14,3	0,428	3860
83,6	930	325				257	2410	79,4	10,3	0,290	4040
93,7	930		365			257	2405	81,1	10,3	0,291	4040
98,8	930			385		257	2404	81,9	10,3	0,291	4040
109,1	930				425	257	2404	83,1	10,3	0,292	4040
94,6	900	365				285	2425	81,1	8,6	0,238	4100
105,1	900		410			282	2399	82,9	8,6	0,237	4100
111,2	900			430		284	2421	83,4	8,6	0,238	4100
122,4	900				475	283	2413	84,5	8,6	0,239	4100
107,1	870	420				316	2388	83,0	7,0	0,190	3920
120,4	870		470			318	2398	84,1	7,0	0,192	3920
126,5	870			495		317	2392	84,8	7,0	0,192	3920
139,7	860				545	319	2401	85,6	7,0	0,194	3920
114,2	1550	445				336	2404	83,2	5,9	0,176	3970
127,5	1650		500			335	2388	84,5	5,9	0,176	3970
133,6	1650			525		333	2383	85,2	5,9	0,176	3970
146,9	1650				580	333	2371	86,2	5,9	0,176	3970
148,9	2000	590				422	2363	86,4	3,6	0,108	3980
166,3	2000		660			423	2359	87,3	3,6	0,109	3980
174,4	2000			690		423	2367	87,8	3,6	0,109	3980
191,8	2000				760	424	2362	88,5	3,6	0,110	3980
184,6	1880	730				512	2368	88,2	2,6	0,074	4030
205,0	1880		810			512	2370	89,0	2,6	0,075	4030
215,2	1880			850		512	2371	89,4	2,6	0,075	4030
235,6	1880				930	512	2372	89,9	2,6	0,076	4030
188,7	2000	770				516	2294	89,5	2,1	0,062	4600
209,1	2000		855			516	2290	90,2	2,1	0,063	4600
219,3	2000			895		516	2294	90,4	2,1	0,063	4600
239,7	2000				980	516	2290	90,9	2,1	0,063	4600
212,2	1910	870				575	2283	90,2	1,7	0,050	4410
235,6	1910		965			577	2286	90,8	1,7	0,051	4410
246,8	1910			1010		576	2288	91,1	1,7	0,051	4410
269,3	1910				1110	576	2271	91,5	1,7	0,051	4410
228,5	2380	1010				612	2118	91,2	1,2	0,038	4810
253,0	2380		1120			613	2115	91,7	1,2	0,039	4810
265,2	2380			1180		614	2104	91,9	1,2	0,039	4810
288,7	2380				1280	612	2111	92,2	1,2	0,039	4810
261,1	2400	1160				697	2108	91,7	0,93	0,030	4810
288,7	2400		1280			697	2111	92,1	0,93	0,031	4810
301,9	2400			1340		696	2110	92,2	0,93	0,031	4810
329,5	2400				1460	697	2113	92,5	0,93	0,031	4810
317,2	2600	1390				839	2137	92,5	0,67	0,021	4950
350,9	2600		1540			841	2133	92,8	0,67	0,021	4950
362,1	2630			1610		828	2106	93,0	0,67	0,021	4950
370,3	2810				1750	776	1981	93,4	0,67	0,021	4950
352,9	2810	1650				930	2003	92,9	0,48	0,016	4870
358,0	3060		1810			854	1852	93,3	0,48	0,016	4870
368,2	2900	1790				965	1126	93,3	0,41	0,013	4870
368,2	3200		1960			875	1759	93,6	0,41	0,013	4870

IC06/17/37/86W



# Technical data for 2GDC-250L-4

Cont. output	Max. electrical speed	Base speed (min <sup>-1</sup> ) at armature voltage (V)				Rated armature current	Torque	Efficiency	Armature circuit		Field loss
		400	440	460	500				Inductance	Resistance	
(kW)	(min <sup>-1</sup> )					(A)	(Nm)	(%)	(mH)	(Ohm)	(W)
61,6	750	215				203	2683	74,2	16,6	0,475	4320
69,8	850		245			203	2666	76,3	16,6	0,476	4320
73,8	880			255		203	2711	77,2	16,6	0,477	4320
82,0	870				285	204	2694	78,8	16,6	0,478	4320
78,8	840	270				246	2734	78,2	12,0	0,324	4210
88,7	840		305			247	2724	80,0	12,0	0,325	4210
93,5	840			325		246	2695	80,8	12,0	0,325	4210
102,0	820				360	245	2679	82,2	12,0	0,325	4210
88,9	820	310				272	2686	80,0	9,9	0,267	4350
99,8	820		345			272	2707	81,6	9,9	0,268	4350
105,1	820			365		271	2695	82,3	9,9	0,268	4350
115,3	800				400	269	2698	83,7	9,9	0,267	4350
101,7	780	350				304	2720	81,7	8,1	0,215	4430
113,2	780		390			302	2718	83,4	8,1	0,214	4430
119,3	780			415		302	2692	84,0	8,1	0,215	4430
131,6	750				455	303	2708	85,0	8,1	0,216	4430
107,1	1330	380				317	2639	82,5	6,9	0,195	4200
120,4	1480		425			320	2652	83,7	6,9	0,197	4200
126,5	1490			445		319	2661	84,3	6,9	0,197	4200
138,7	1490				490	317	2651	85,5	6,9	0,197	4200
140,8	1750	500				402	2636	85,7	4,1	0,121	4320
157,1	1800		555			403	2650	86,7	4,1	0,122	4320
165,2	1800			585		403	2645	87,1	4,1	0,122	4320
180,5	1800				640	401	2641	88,0	4,1	0,122	4320
174,4	1710	615				487	2655	87,7	3,0	0,083	4270
193,8	1710		685			487	2649	88,5	3,0	0,083	4270
204,0	1710			720		488	2653	88,9	3,0	0,084	4270
223,4	1710				790	488	2647	89,5	3,0	0,084	4270
196,9	1640	690				545	2671	88,4	2,5	0,068	4350
218,3	1640		765			544	2672	89,2	2,5	0,069	4350
228,5	1640			805		542	2657	89,6	2,5	0,069	4350
250,9	1640				880	545	2670	90,2	2,5	0,069	4350
202,0	1730	735				550	2573	89,8	2,0	0,057	4950
223,4	1730		815			549	2566	90,5	2,0	0,057	4950
233,6	1730			855		547	2558	90,8	2,0	0,057	4950
256,0	1730				935	549	2564	91,2	2,0	0,057	4950
239,7	1950	900				646	2494	90,7	1,4	0,041	4780
265,2	1950		995			646	2495	91,2	1,4	0,041	4780
277,4	1950			1040		645	2498	91,5	1,4	0,042	4780
302,9	1950				1140	645	2488	91,9	1,4	0,042	4780
247,9	2180	980				663	2638	91,4	1,1	0,034	5430
274,4	2180		1080			664	2379	91,8	1,1	0,034	5430
287,6	2180			1140		665	2362	92,0	1,1	0,035	5430
313,1	2180				1240	664	2364	92,3	1,1	0,035	5430
301,9	2360	1190				800	2375	92,3	0,78	0,024	5100
333,5	2360		1320			801	2366	92,6	0,78	0,024	5100
349,9	2360			1380		802	2374	92,8	0,78	0,024	5100
380,5	2360				1500	800	2375	93,0	0,78	0,024	5100
347,8	2460	1400				919	2326	92,6	0,55	0,018	5420
380,5	2480		1540			911	2313	92,9	0,55	0,018	5420
385,6	2560			1610		881	2242	93,1	0,55	0,018	5420
389,6	2770				1750	816	2085	93,4	0,55	0,018	5420
384,5	2390	1540				1012	2338	92,9	0,48	0,015	5010
401,9	2530		1690			957	2226	93,3	0,48	0,015	5010
404,9	2630			1770		921	2142	93,5	0,48	0,015	5010
404,9	2860				1920	845	1975	93,7	0,48	0,014	5010

IC06/17/37/86W



# Technical data for 2GDC-280S-4

Cont. output	Max. electrical speed	Base speed (min <sup>-1</sup> ) at armature voltage (V)				Rated armature current	Torque	Efficiency	Armature circuit		Field loss
									Inductance	Resistance	
		400	440	460	500						
(kW)	(min <sup>-1</sup> )				(A)	(Nm)	(%)	(mH)	(Ohm)	(W)	
118,3	750	335			357	3307	81,1	8,2	0,190	5290	
133,6	750		375		361	3336	82,3	8,2	0,192	5290	
140,8	750			395	361	3336	83,0	8,2	0,193	5290	
155,0	750				360	3337	84,2	8,2	0,193	5290	
134,6	740	385			398	3274	82,8	6,7	0,153	5370	
151,0	740		430		399	3287	84,0	6,7	0,154	5370	
159,1	740			450	400	3311	84,6	6,7	0,155	5370	
152,0	980	445			442	3198	84,0	4,6	0,125	5390	
169,3	980		495		441	3203	85,3	4,6	0,125	5390	
178,5	980			525	443	3183	85,8	4,6	0,126	5390	
195,8	980				442	3189	86,7	4,6	0,126	5390	
187,7	1860	545			533	3224	86,1	3,4	0,088	5070	
209,1	1860		605		534	3236	87,1	3,4	0,089	5070	
219,3	1860			635	533	3233	87,6	3,4	0,089	5070	
240,7	1860				533	3220	88,3	3,4	0,089	5070	
211,1	1730	640			583	3089	88,6	2,5	0,062	5700	
233,6	1730		710		581	3080	89,5	2,5	0,062	5700	
245,8	1730			745	583	3089	89,7	2,5	0,062	5700	
268,3	1730				581	3082	90,3	2,5	0,062	5700	
236,6	1680	715			647	3099	89,5	2,1	0,050	5780	
262,1	1680		790		647	3107	90,2	2,1	0,051	5780	
274,4	1680			830	645	3095	90,5	2,1	0,051	5780	
299,9	1680				645	3085	91,0	2,1	0,051	5780	
268,3	1620	810			727	3101	90,2	1,7	0,040	5950	
296,8	1620		895		727	3105	90,8	1,7	0,040	5950	
311,1	1620			940	727	3099	91,1	1,7	0,041	5950	
340,7	1620				729	3097	91,5	1,7	0,041	5950	
295,8	2130	935			799	2962	90,5	1,2	0,034	5730	
326,4	2130		1040		797	2938	91,1	1,2	0,034	5730	
341,7	2130			1090	796	2935	91,3	1,2	0,034	5730	
360,1	2220				766	2857	92,0	1,2	0,034	5730	
327,4	2250	1080			873	2838	91,7	0,89	0,024	6310	
362,1	2250		1190		874	2849	92,1	0,89	0,025	6310	
379,4	2250			1250	875	2842	92,2	0,89	0,025	6310	
395,8	2340				835	2725	92,7	0,89	0,025	6310	
400,9	2140	1310			1061	2865	92,4	0,65	0,017	5890	
417,2	2280		1440		997	2712	93,0	0,65	0,017	5890	
423,3	2350			1510	965	2625	93,3	0,65	0,017	5890	
429,4	2530				898	2452	93,6	0,65	0,016	5890	

IC06/17/37/86W





# Technical data for 2GDC-280M-4

Cont. output	Max. electrical speed	Base speed (min <sup>-1</sup> ) at armature voltage (V)				Rated armature current	Torque	Efficiency	Armature circuit		Field loss
		400	440	460	500				Inductance	Resistance	
(kW)	(min <sup>-1</sup> )					(A)	(Nm)	(%)	(mH)	(Ohm)	(W)
112,2	680	285				338	3686	81,1	9,9	0,201	5760
126,5	680		320			341	3701	82,4	9,9	0,203	5760
132,6	680			335		339	3706	83,2	9,9	0,202	5760
146,9	680				370	341	3717	84,2	9,9	0,204	5760
127,5	670	325				376	3673	82,8	8,0	0,162	5750
142,8	670		360			377	3714	84,1	8,0	0,163	5750
151,0	670			380		380	3719	84,6	8,0	0,164	5750
166,3	670				420	380	3706	85,6	8,0	0,164	5750
143,8	880	375				418	3591	84,1	5,5	0,133	5510
160,1	880		420			417	3570	85,4	5,5	0,133	5510
169,3	880			445		420	3562	85,8	5,5	0,134	5510
185,6	880				485	419	3584	86,7	5,5	0,134	5510
176,5	1590	455				500	3631	86,3	4,1	0,093	5370
196,9	1710		510			501	3614	87,3	4,1	0,093	5370
207,1	1710			535		502	3624	87,7	4,1	0,094	5370
227,5	1710				585	503	3640	88,4	4,1	0,094	5370
219,3	1420	560				609	3667	88,1	3,0	0,064	5630
243,8	1420		625			609	3652	88,9	3,0	0,064	5630
256,0	1420			655		610	3660	89,3	3,0	0,065	5630
280,5	1420				715	610	3673	89,9	3,0	0,065	5630
247,9	1360	635				681	3655	89,0	2,5	0,052	5730
275,4	1360		705			683	3657	89,7	2,5	0,052	5730
288,7	1360			740		682	3652	90,0	2,5	0,052	5730
316,2	1360				810	683	3655	90,6	2,5	0,053	5730
254,0	1630	675				688	3523	90,3	2,0	0,043	6020
281,5	1630		750			689	3514	90,9	2,0	0,043	6020
295,8	1630			785		690	3528	91,2	2,0	0,043	6020
322,3	1630				860	688	3509	91,6	2,0	0,043	6020
279,5	1950	785				753	3333	90,7	1,4	0,036	5930
310,1	1950		870			756	3337	91,2	1,4	0,036	5930
324,4	1950			910		754	3337	91,5	1,4	0,036	5930
353,9	1950				995	754	3331	91,9	1,4	0,036	5930
337,6	1880	925				901	3417	91,7	1,1	0,025	6200
372,3	1880		1020			899	3417	92,1	1,1	0,026	6200
390,7	1880			1070		900	3418	92,3	1,1	0,026	6200
425,3	1890				1170	898	3404	92,6	1,1	0,026	6200
378,4	1960	1080				1000	3281	92,6	0,78	0,018	6870
417,2	1960		1190			998	3282	92,9	0,78	0,018	6870
436,6	1960			1250		998	3270	93,0	0,78	0,019	6870
469,2	2000				1360	984	3230	93,3	0,78	0,019	6870
397,8	2050	1180				1051	3156	92,6	0,63	0,017	6530
438,6	2050		1310			1050	3135	92,9	0,63	0,017	6530
447,8	2110			1370		1023	3060	93,0	0,63	0,017	6530
449,8	2290				1480	942	2846	93,5	0,63	0,016	6530
441,7	2120	1360				1162	3041	92,9	0,48	0,013	6720
444,7	2330		1490			1059	2794	93,4	0,48	0,013	6720

IC06/17/37/86W



# Technical data for 2GDC-280L-4

Cont. output	Max. electrical speed	Base speed (min <sup>-1</sup> ) at armature voltage (V)				Rated armature current	Torque	Efficiency	Armature circuit		Field loss
		400	440	460	500				Inductance	Resistance	
(kW)	(min <sup>-1</sup> )					(A)	(Nm)	(%)	(mH)	(Ohm)	(W)
105,1	600	235				326	4186	78,9	11,9	0,238	5690
118,3	600		265			327	4180	80,4	11,9	0,239	5690
124,4	600			280		325	4161	81,3	11,9	0,238	5690
137,7	600				310	326	4159	82,6	11,9	0,239	5690
119,3	580	270				360	4138	81,0	9,7	0,190	5790
134,6	580		300			364	4202	82,3	9,7	0,192	5790
141,8	580			315		363	4214	83,0	9,7	0,192	5790
156,1	580				350	363	4175	84,2	9,7	0,193	5790
135,7	780	310				403	4097	82,4	6,6	0,155	6070
152,0	780		350			404	4066	83,7	6,6	0,156	6070
159,1	780			365		401	4082	84,5	6,6	0,156	6070
175,4	780				400	402	4107	85,4	6,6	0,156	6070
166,3	1330	380				479	4096	84,8	5,0	0,110	5870
185,6	1480		425			480	4090	86,0	5,0	0,110	5870
194,8	1500			445		479	4099	86,5	5,0	0,110	5870
214,2	1500				490	480	4093	87,4	5,0	0,111	5870
208,1	1250	470				585	4145	87,0	3,6	0,075	5490
231,5	1250		525			586	4129	87,9	3,6	0,075	5490
243,8	1250			550		587	4150	88,3	3,6	0,076	5490
266,2	1250				605	585	4120	89,1	3,6	0,076	5490
234,6	1350	530				652	4144	88,0	3,0	0,061	5690
261,1	1350		585			654	4179	88,8	3,0	0,061	5690
274,4	1350			615		655	4177	89,1	3,0	0,062	5690
299,9	1350				675	653	4160	89,8	3,0	0,062	5690
241,7	1290	565				661	4006	89,4	2,4	0,050	6610
267,2	1290		625			659	4003	90,2	2,4	0,050	6610
280,5	1290			655		660	4010	90,5	2,4	0,050	6610
307,0	1290				720	660	3992	91,0	2,4	0,051	6610
266,2	1710	650				723	3835	90,0	1,7	0,042	6570
295,8	1710		725			726	3820	90,6	1,7	0,042	6570
310,1	1710			760		726	3820	90,9	1,7	0,042	6570
338,6	1710				830	725	3820	91,4	1,7	0,042	6570
319,3	1660	770				857	3882	91,1	1,3	0,030	6700
353,9	1660		855			859	3876	91,6	1,3	0,030	6700
370,3	1660			895		857	3873	91,9	1,3	0,030	6700
403,9	1660				980	857	3859	92,2	1,3	0,030	6700
360,1	1730	905				955	3725	92,2	0,9	0,021	6810
397,8	1730		1000			955	3725	92,6	0,9	0,021	6810
416,2	1730			1050		954	3711	92,8	0,9	0,021	6810
453,9	1730				1150	954	3695	93,1	0,9	0,022	6810
379,4	1800	990				1007	3588	92,2	0,8	0,019	7150
418,2	1800		1090			1005	3592	92,5	0,8	0,019	7150
437,6	1800			1140		1004	3594	92,7	0,8	0,020	7150
452,9	1910				1250	951	3392	93,1	0,8	0,019	7150
431,5	1820	1140				1140	3544	92,5	0,6	0,015	7010
448,8	1930		1260			1072	3335	93,1	0,6	0,015	7010
449,8	2020			1320		1025	3191	93,3	0,6	0,015	7010
449,8	2210				1440	941	2925	93,6	0,6	0,014	7010

IC06/17/37/86W



# Technical data for 2GDC-280LX-4

Cont. output	Max. electrical speed	Base speed (min <sup>-1</sup> ) at armature voltage (V)				Rated armature current	Torque	Efficiency	Armature circuit		Field loss
		400	440	460	500				Inductance	Resistance	
(kW)	(min <sup>-1</sup> )					(A)	(Nm)	(%)	(mH)	(Ohm)	(W)
412,1	1355	860				1093	4486	92,2	1,07	0,021	6800
454,9	1380		950			1092	4483	92,7	1,07	0,021	6800
476,3	1390			995		1091	4482	92,8	1,07	0,021	6800
502,9	1400				1085	1054	4339	93,3	1,07	0,021	6800
458,0	1550	1025				1208	4183	92,7	0,65	0,016	7480
491,6	1560		1130			1174	4073	93,1	0,65	0,016	7480
497,8	1620			1180		1134	3949	93,3	0,65	0,016	7480
502,9	1730				1280	1050	3678	93,7	0,65	0,016	7480

IC06/17/37/86W



# Technical data for 2GDC-315S-6

Cont. output	Max. electrical speed	Base speed (min <sup>-1</sup> ) at armature voltage (V)						Rated armature current	Torque	Efficiency	Armature circuit	
		400	440	470	520	550	620				Inductance	Resistance
(kW)	(min <sup>-1</sup> )							(A)	(Nm)	(%)	(mH)	(Ohm)
168,3	900	333					500	4745	81,1			
188,7	900		372				500	4761	82,6			
204,0	900			400			500	4775	83,6	1,98	0,112	
229,5	900				447		500	4797	85,0			
243,8	900					476	500	4797	85,7			
279,5	900						500	4821	87,1			
214,2	945	418					614	4797	84,1			
238,7	945		464				614	4809	85,4			
257,0	945			498			614	4829	86,2	1,32	0,075	
287,6	945				557		614	4832	87,2			
306,0	945					591	614	4848	87,8			
348,8	945						614	4850	88,9			
366,2	1800	700					1000	4899	89,0			
406,0	1800		776				1000	4900	89,7			
435,5	1800			831			1000	4910	90,2	0,50	0,029	
484,5	1800				925		1000	4909	90,9			
514,1	1800					981	997	4903	91,3			
557,9	1850						955	4692	92,1			
454,9	1850	867					1227	4916	90,3			
503,9	1850		958				1227	4921	90,9			
539,6	1850			1027			1227	4920	91,3	0,33	0,020	
594,7	1900				1142		1214	4873	91,9			
616,1	1930					1211	1185	4760	92,3			
657,9	2030						1116	4477	92,9			
555,9	1400	1056					1485	4932	91,5			
600,8	1410		1167				1451	4821	92,0			
626,3	1450			1251			1408	4684	92,4	0,207	0,013	
657,9	1550				1391		1333	4431	92,9			
673,2	1600					1476	1285	4270	93,2			
692,6	1760						1169	3874	93,6			
571,2	1550	1219					1510	4387	92,3			
629,3	1550		1346				1510	4380	92,7			
674,2	1550			1440			1510	4383	92,9	0,191	0,010	
710,9	1650				1601		1435	4159	93,3			
719,1	1720					1698	1368	3963	93,5			

Field loss (hot) =5871 W

IC06/17/37/86W



# Technical data for 2GDC-315M-6

Cont. output	Max. electrical speed	Base speed (min <sup>-1</sup> ) at armature voltage (V)						Rated armature current	Torque	Efficiency	Armature circuit	
		400	440	470	520	550	620				Inductance	Resistance
(kW)	(min <sup>-1</sup> )							(A)	(Nm)	(%)	(mH)	(Ohm)
165,2	750	273					500	5660	79,2			
185,6	750		305				500	5693	80,9			
199,9	750			328			500	5717	82,0	2,70	0,13	
225,4	750				368		500	5733	83,6			
240,7	750					393	500	5744	84,4			
275,4	750						500	5756	85,9			
210,1	800	343					614	5745	82,6			
235,6	800		382				614	5773	84,0			
254,0	800			411			614	5788	84,9	1,85	0,09	
284,6	800				460		614	5794	86,2			
404,9	800					488	614	5818	86,8			
345,8	800						614	5824	88,0			
363,1	1520	579					1000	5877	88,1			
402,9	1520		641				1000	5892	89,0			
433,5	1520			687			1000	5902	89,5	0,71	0,03	
483,5	1520				765		1000	5913	90,3			
513,1	1520					812	997	5913	90,7			
562,0	1580						955	5700	91,6			
452,9	1600	715					1227	5925	89,6			
501,8	1600		792				1227	5930	90,3			
537,5	1600			848			1227	5938	90,8	0,46	0,02	
596,7	1600				944		1225	5923	91,4			
622,2	1640					1002	1202	5814	91,8			
673,2	1700						1145	5544	92,5			
554,9	1200	874					1485	5940	91,0			
605,9	1200		966				1467	5869	91,6			
634,4	1220			1036			1431	5732	92,0	0,25	0,02	
675,2	1280				1153		1370	5482	92,6			
695,6	1320					1223	1331	5324	92,9			
731,3	1420						1235	4939	93,4			
561,0	1360	1011					1486	5195	92,0			
619,1	1360		1117				1486	5192	92,4			
664,0	1360			1195			1486	5202	92,7	0,21	0,01	
736,4	1360				1327		1486	5195	93,1			
757,9	1400					1406	1444	5045	93,3			

Field loss (hot) = 6541 W

IC06/17/37/86W



# Technical data for 2GDC-315L-6

Cont. output	Max. electrical speed	Base speed (min <sup>-1</sup> ) at armature voltage (V)						Rated armature current	Torque	Efficiency	Armature circuit	
		400	440	470	520	550	620				Inductance	Resistance
(kW)	(min <sup>-1</sup> )							(A)	(Nm)	(%)	(mH)	(Ohm)
161,2	650	225					500	6713	77,0			
181,6	650		251				500	6779	78,9			
196,9	650			271			500	6792	80,2			
221,3	650				305		500	6803	80,9	2,90	0,145	
236,6	650					325	500	6812	82,7			
271,3	650						500	6857	84,5			
207,1	670	283					614	6841	80,9			
231,5	670		316				614	6869	82,4			
249,9	670			340			614	6894	83,4			
280,5	670				381		614	6904	84,8	1,90	0,096	
299,9	670					406	614	6907	85,5			
341,7	670						614	6934	87,0			
360,1	1300	481					1000	7003	87,1			
399,8	1300		534				1000	7007	88,0			
430,4	1300			573			1000	7030	88,6			
479,4	1300				638		1000	7035	89,5	0,77	0,037	
508,0	1310					678	996	7017	90,0			
562,0	1350						968	6824	91,0			
448,8	1360	596					1227	7050	88,7			
497,8	1360		660				1227	7064	89,6			
535,5	1360			708			1227	7075	90,1			
595,7	1360				788		1225	7073	90,8	0,49	0,025	
623,2	1380					836	1209	6979	91,2			
680,3	1440						1162	6708	92,0			
542,6	1020	730					1458	6957	90,4			
599,8	1020		807				1458	6961	91,0			
684,4	1080				963		1393	6653	92,1	0,30	0,017	
708,9	1100					1022	1361	6499	92,5			
759,9	1170						1284	6135	93,1			
549,8	1190	846					1458	6085	91,5			
606,9	1190		934				1458	6088	92,0			
649,7	1190			1000			1458	6086	92,4	0,26	0,013	
721,1	1190				1111		1458	6080	92,8			
765,0	1190					1177	1458	6085	93,0			

Field loss (hot) = 7365 W

IC06/17/37/86W



# Technical data for 2GDC-315LX-6

Cont. output	Max. electrical speed	Base speed (min-1) at armature voltage (V)						Rated armature current	Torque	Efficiency	Armature circuit	
		400	440	470	520	550	620				Inductance	Resistance
(kW)	(min-1)							(A)	(Nm)	(%)	(mH)	(Ohm)
157,1	550	187						500	7846	74,4		
176,5	550		211					500	7818	76,6		
191,8	550			228				500	7882	77,9		
217,3	550				256			500	7936	79,9	3,32	0,161
231,5	550					273		500	7950	80,8		
267,2	550						313	500	7988	82,8		
202,0	570	237						614	7985	78,7		
226,4	570		265					614	7994	80,5		
244,8	570			285				614	8042	81,6		
276,4	570				320			614	8085	83,2	2,18	0,107
294,8	570					340		614	8120	84,0		
337,6	570						390	614	8103	85,6		
355,0	1110	404						1000	8230	85,8		
395,8	1110		449					1000	8256	86,9		
425,3	1110			482				1000	8268	87,6		
474,3	1110				537			998	8278	88,6	0,83	0,041
499,8	1120					571		989	8195	89,1		
556,9	1150						650	966	8027	90,2		
444,7	1160	502						1227	8301	87,7		
494,7	1160		556					1227	8323	88,6		
530,4	1160			597				1227	8318	89,2		
589,6	1160				665			1223	8303	90,0	0,56	0,028
618,1	1180					706		1207	8202	90,5		
681,4	1210						803	1170	7947	91,4		
526,3	890	617						1425	7992	89,7		
583,4	890		682					1425	8007	90,4		
626,3	890			730				1425	8028	90,9		
687,5	900				813			1404	7913	91,6	0,34	0,019
716,0	920					863		1378	7766	91,9		
775,2	990						980	1315	7406	92,6		
535,5	1010	715						1425	7006	91,0		
591,6	1010		791					1425	7003	91,6		
633,4	1010			847				1425	7001	91,9	0,29	0,015
703,8	1010				940			1425	7010	92,4		
746,6	1010					997		1425	7010	92,7		

Field loss (hot) = 8343 W

IC06/17/37/86W



# Technical data for 2GDC-315X-6

Cont. output	Max. electrical speed	Base speed (min <sup>-1</sup> ) at armature voltage (V)						Rated armature current	Torque	Efficiency	Armature circuit	
		400	440	470	520	550	620				Inductance	Resistance
(kW)	(min <sup>-1</sup> )							(A)	(Nm)	(%)	(mH)	(Ohm)
149,9	460	154					500	9132	71,4			
170,3	460		173				500	9234	73,8			
185,6	460			188			500	9236	75,3			
211,1	460				211		500	9381	77,5	3,83	0,183	
226,4	460					226	500	9373	78,6			
261,1	460						500	9416	80,8			
196,9	480	195					614	9438	76,3			
220,3	480		218				614	9478	78,2			
239,7	480			236			614	9491	79,5			
270,3	480				265		614	9566	81,3	2,49	0,121	
289,7	480					282	614	9605	82,2			
331,5	480						614	9623	84,0			
349,9	940	337					1000	9712	84,3			
390,7	940		376				1000	9721	85,5			
419,2	940			404			996	9713	86,4			
464,1	950				451		985	9325	87,6	0,96	0,047	
489,6	960					480	977	9550	88,1			
548,8	970						959	9345	89,3			
439,6	970	419					1227	9821	86,5			
488,6	970		4666				1227	9818	87,6			
525,3	970			500			1227	9845	88,2			
580,4	980				557		1213	9757	89,2	0,65	0,032	
611,0	990					593	1200	9648	89,7			
678,3	1010						1170	9430	90,7			
509,0	770	519					1385	9183	88,9			
565,1	770		575				1385	9195	89,7			
605,9	770			616			1385	9203	90,2			
675,2	770				686		1385	9213	90,9	0,40	0,022	
715,0	770					728	1383	9195	91,3			
782,3	826						1383	8871	92,1			
518,2	890	603					1385	8048	90,4			
573,2	890		666				1385	8056	91,0			
615,1	890			714			1385	8062	91,4	0,33	0,017	
683,4	890				794		1385	8059	92,0			
724,2	890					841	1385	8062	92,3			

Field loss (hot) = 9476 W

IC06/17/37/86W





# Technical data for 2GDC-400S-6

Cont. output	Max. electrical speed	Base speed (min <sup>-1</sup> ) at armature voltage (V)					Rated armature current	Torque	Efficiency	Armature circuit	
		400	440	470	520	550				620	Inductance
(kW)	(min <sup>-1</sup> )						(A)	(Nm)	(%)	(mH)	(Ohm)
155,0	870	192					496	7551	74,3		
174,4	870		215				495	7592	76,5		
188,7	870			232			495	7634	77,9		
213,2	870				261		493	7651	79,8	3,20	0,130
227,5	870					279	492	7624	80,9		
260,1	870						489	7648	82,9		
213,2	915	249					650	8019	78,7		
238,7	915		278				648	8026	80,5		
258,1	920			300			646	8045	81,6		
288,7	920				336		643	8036	83,3	2,10	0,081
308,0	920					358	641	8051	84,1		
350,9	930						636	8004	85,7		
272,3	855	314					801	8128	82,0		
302,9	860		349				796	8135	83,5		
326,4	865			376			794	8128	84,4		
363,1	870				421		788	8084	85,8	1,26	0,055
385,6	875					448	785	8062	86,4		
436,6	885						776	8018	87,8		
339,7	1630	424					952	7494	86,0		
374,3	1630		471				944	7447	87,0		
400,9	1630			505			938	7427	87,8		
442,7	1630				563		927	7356	88,8	0,82	0,033
467,2	1630					599	920	7305	89,3		
522,2	1630						903	7177	90,3		
448,8	1630	539					1231	7795	88,2		
493,7	1630		598				1217	7724	89,1		
525,3	1630			641			1206	7666	89,7		
576,3	1630				714		1186	7551	90,5	0,52	0,021
605,9	1630					758	1175	7479	90,9		
669,1	1630						1143	7289	91,7		
551,8	1630	679					1491	7607	89,7		
601,8	1630		751				1467	7503	90,5		
637,5	1630			806			1448	7411	90,9		
693,6	1630				897		1414	7240	91,6	0,35	0,014
725,2	1630					952	1393	7131	91,9		
790,5	1630						1337	6849	92,6		
662,0	1630	820					1765	7559	91,0		
715,0	1630		907				1724	7380	91,6		
751,7	1630			972			1690	7244	92,0		
806,8	1630				1081		1631	6987	92,5	0,20	0,010
835,4	1630					1146	1592	6826	92,8		
887,4	1630						1494	6396	93,3		
795,6	1590	947					2107	7865	91,8		
854,8	1610		1046				2046	7653	92,3		
893,5	1630			1122			1997	7459	92,6		
950,6	1630				1247		1910	7136	93,1	0,15	0,007
977,2	1630					1323	1854	6917	93,3		
1019,0	1630						1709	6369	93,6		
807,8	1630	1074					2117	7040	92,6		
852,7	1630		1188				2027	6723	93,0		
881,3	1630			1272			1955	6484	93,2	0,11	0,006
909,8	1630				1413		1820	6028	93,5		
914,9	1630					1498	1731	5720	93,5		

Field loss (hot) = 7416 W

IC06/17/37/86W



# Technical data for 2GDC-400M-6

Cont. output (kW)	Max. electrical speed (min <sup>-1</sup> )	Base speed (min <sup>-1</sup> ) at armature voltage (V)						Rated armature current (A)	Torque (Nm)	Efficiency (%)	Armature circuit	
		400	440	470	520	550	620				Inductance (mH)	Resistance (Ohm)
147,9	745	156					484	8848	72,4			
166,3	765		176				483	8830	74,8			
180,5	765			190			482	8910	76,3			
205,0	770				214		480	8966	78,4	3,60	0,154	
219,3	770					229	479	8947	79,5			
250,9	775						476	8980	81,7			
204,0	810	203					633	9408	77,2			
229,5	810		228				630	9405	79,1			
247,9	815			246			629	9423	80,4			
278,5	815				276		626	9437	82,1	2,25	0,096	
296,8	820					294	625	9450	83,0			
338,6	825						620	9431	84,8			
261,1	760	257					778	9526	80,8			
290,7	760		287				775	9499	82,4			
314,2	765			308			772	9556	83,4			
351,9	765				346		767	9510	84,9	1,46	0,065	
372,3	770					367	765	9510	85,6			
423,3	780						758	9448	87,0			
329,5	1605	349					931	8830	85,1			
363,1	1615		388				925	8771	86,3			
389,6	1625			416			919	8765	87,0			
432,5	1630				465		910	8700	88,1	0,90	0,039	
455,9	1630					494	905	8647	88,6			
512,0	1630						891	8527	89,7			
436,6	1630	445					1205	9188	87,4			
480,4	1630		493				1194	9122	88,4			
513,1	1630			529			1185	9076	89,1			
565,1	1630				589		1168	8977	89,9	0,56	0,024	
594,7	1630					626	1158	8890	90,4			
661,0	1630						1133	8706	91,2			
539,6	1630	553					1465	9136	89,1			
590,6	1630		612				1445	9036	90,0			
627,3	1630			657			1430	8946	90,5			
686,5	1630				731		1403	8789	91,2	0,38	0,016	
719,1	1630					775	1385	8682	91,6			
790,5	1630						1341	8406	92,3			
649,7	1485	676					1740	9002	90,6			
705,8	1515		747				1705	8845	91,2			
744,6	1540			801			1678	8703	91,7			
804,8	1585				892		1630	8448	92,2	0,23	0,011	
837,4	1620					946	1598	8287	92,5			
902,7	1630						1520	7887	93,1			
785,4	1380	782					2085	9403	91,4			
848,6	1415		864				2036	9194	92,0			
892,5	1445			927			1996	9010	92,3			
955,7	1495				1030		1925	8690	92,8	0,19	0,008	
989,4	1535					1093	1880	8475	93,1			
1051,6	1620						1764	7959	93,5			
808,9	1630	888					2125	8525	92,3			
861,9	1630		982				2052	8222	92,8			
897,6	1630			1051			1993	7996	93,1	0,13	0,006	
942,5	1630				1168		1885	7552	93,4			
960,8	1630					1238	1815	7265	93,5			

Field loss (hot) = 8189 W

IC06/17/37/86W



# Technical data for 2GDC-400L-6

Cont. output [kW]	Max. electrical (min <sup>-1</sup> )	Base speed (min <sup>-1</sup> ) at armature voltage (V)						Rated armature [A]	Torque [Nm]	Efficiency [%]	Armature circuit	
		400	440	470	520	550	620				Inductance [mH]	Resistance [Ohm]
138,7	615	129						470,0	10094	70,3		
158,1	670		145					469,0	10239	72,8		
172,4	675			157				468,0	10285	74,4		
195,8	675				177			467,0	10350	76,7	4,06	0,171
209,1	675					189		466,0	10381	77,9		
240,7	680						218	465,0	10354	80,2		
193,8	715	168						615,0	10800	75,5		
219,3	715		187					613,0	10957	77,5		
236,6	715			203				611,0	10906	78,9		
267,2	720				228			609,0	10967	80,8	2,59	0,107
284,6	720					243		607,0	10968	81,7		
325,4	725						278	604,0	10962	83,6		
249,9	665	213						755	10964	79,3		
279,5	670		237					752	11026	81,1		
300,9	670			255				750	11065	82,2		
337,6	675				287			746	11011	83,8	1,69	0,072
359,0	675					305		744	11016	84,6		
409,0	685						348	738	11002	86,2		
318,2	1405	289						910	10303	84,0		
351,9	1420		321					905	10278	85,3		
378,4	1425			345				900	10267	86,1		
420,2	1425				386			893	10189	87,2	1,04	0,043
444,7	1445					410		888	10164	87,8		
500,8	1465						467	876	10039	89,0		
423,3	1510	369						1178	10751	86,6		
467,2	1520		410					1169	10672	87,6		
498,8	1530			440				1161	10615	88,3		
551,8	1550				491			1148	10521	89,3	0,64	0,027
581,4	1560					521		1139	10448	89,8		
649,7	1590						592	1118	10280	90,7		
525,3	1430	459						1433	10705	88,4		
576,3	1445		510					1417	10571	89,3		
613,0	1460			546				1405	10510	89,9		
673,2	1480				609			1382	10350	90,7	0,42	0,018
707,9	1500					647		1367	10238	91,1		
782,3	1540						734	1332	9983	91,9		
635,5	1295	563						1707	10562	90,0		
691,6	1310		623					1680	10396	90,7		
733,4	1335			668				1658	10280	91,2		
796,6	1365				744			1618	10024	91,8	0,28	0,012
832,3	1390					788		1594	9894	92,2		
906,8	1445						894	1530	9498	92,8		
770,1	1200	652						2056	11065	90,9		
836,4	1225		720					2015	10876	91,5		
882,3	1245			773				1984	10692	91,9		
953,7	1285				859			1926	10400	92,5	0,22	0,009
993,5	1310					911		1889	10207	92,8		
1070,0	1375						1033	1796	9699	93,3		
803,8	1630	741						2120	10157	91,9		
863,9	1630		818					2061	9892	92,4		
904,7	1630			876				2013	9673	92,8	0,16	0,007
962,9	1630				974			1927	9252	93,2		
990,4	1630					1033		1872	8976	93,4		

Field loss (hot) = 9112 W

IC06/17/37/86W



# Technical data for 2GDC-400LX-6

Cont. output (kW)	max. electrical speed (min <sup>-1</sup> )	Base speed (min <sup>-1</sup> ) at armature voltage (V)						Rated armature current (A)	Torque (Nm)	Efficiency (%)	Armature circuit	
		400	440	470	520	550	620				Inductance (mH)	Resistance (Ohm)
131,6	500	106						457	11630	67,7		
148,9	565		120					456	11648	70,5		
163,2	615			130				455	11754	72,2		
186,7	700				148			455	11791	74,7	4,97	0,189
198,9	750					158		454	11814	76,0		
230,5	780						181	452	11943	78,5		
184,6	660	139						596	12428	73,4		
208,1	745		157					595	12387	75,6		
225,4	810			169				594	12483	77,1		
255,0	830				190			592	12566	79,1	3,10	0,118
272,3	830					203		591	12574	80,2		
312,1	835						233	588	12557	82,3		
238,7	770	178						732	12534	77,6		
267,2	770		199					730	12565	79,5		
288,7	775			215				728	12558	80,7		
323,3	780				241			725	12572	82,5	2,00	0,079
344,8	780					256		723	12616	83,3		
392,7	785						293	718	12563	85,1		
307,0	1170	242						888	11874	82,7		
340,7	1245		269					884	11845	84,1		
366,2	1250			291				880	11785	85,0		
408,0	1255				324			874	11790	86,3	1,18	0,048
432,5	1265					339		870	11934	86,9		
487,6	1280						387	860	11800	88,2		
409,0	1325	310						1151	12369	85,6		
452,9	1335		344					1143	12316	86,7		
484,5	1340			369				1136	12269	87,4		
536,5	1365				412			1125	12201	88,5	0,78	0,030
567,1	1380					438		1118	12120	89,0		
636,5	1430						498	1101	11953	90,0		
509,0	1250	387						1400	12327	87,6		
560,0	1265		428					1386	12245	88,6		
596,7	1275			460				1376	12163	89,2		
657,9	1290				512			1357	12012	90,1	0,52	0,020
692,6	1305					544		1345	11923	90,5		
770,1	1330						617	1316	11693	91,4		
617,1	1130	474						1672	12200	89,3		
676,3	1145		525					1649	12064	90,1		
718,1	1155			563				1631	11931	90,6		
784,4	1180				626			1599	11731	91,3	0,32	0,014
821,1	1190					665		1579	11573	91,7		
902,7	1235						754	1528	11215	92,4		
752,8	1045	549						2020	12840	90,3		
821,1	1065		608					1987	12655	91,0		
870,1	1075			651				1961	12500	91,4		
944,5	1100				725			1915	12210	92,1	0,27	0,010
987,4	1120					769		1885	12021	92,4		
1076,1	1170						872	1810	11553	93,0		
795,6	1490	624						2105	11935	91,5		
859,9	1525		690					2056	11663	92,0		
903,7	1535			740				2018	11443	92,4	0,19	0,008
972,1	1610				823			1950	11056	92,9		
1005,7	1630					872		1905	10806	93,1		

Field loss (hot) = 10249 W

IC06/17/37/86W



# Technical data for 2GDC-400X-6

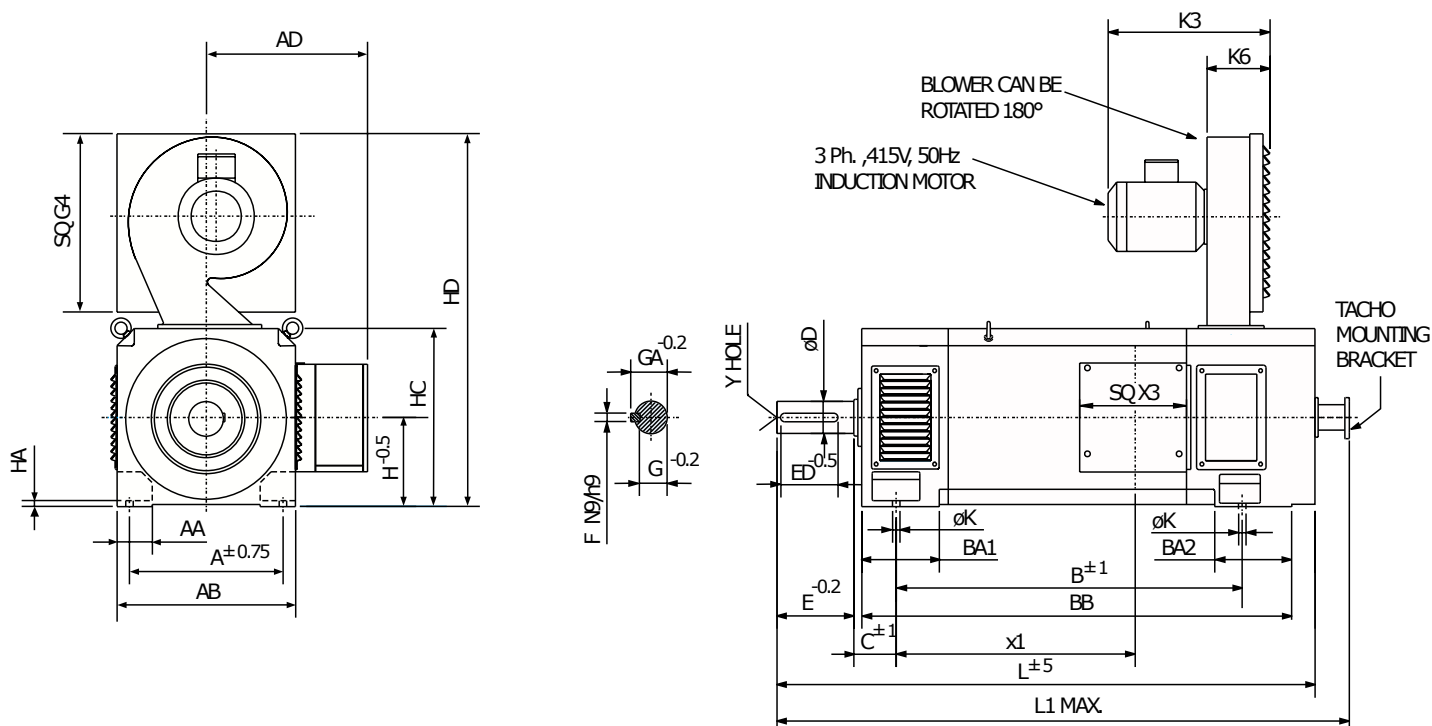
Cont. output (kW)	Max. electrical speed (min <sup>-1</sup> )	Base speed (min <sup>-1</sup> ) at armature voltage (V)						Rated armature current (A)	Torque (Nm)	Efficiency (%)	Armature circuit	
		400	440	470	520	550	620				Inductance (mH)	Resistance (Ohm)
123,4	410	88						445	13049	64,8		
140,8	470		100					444	13240	67,8		
154,0	510			109				444	13243	69,7		
176,5	520				123			443	13404	72,4	5,68	0,213
188,7	520					132		442	13395	73,8		
219,3	520						153	440	13487	76,6		
173,4	550	116						579	14002	71,0		
196,9	550		130					578	14138	73,4		
214,2	550			141				577	14186	75,0		
242,8	555				159			575	14337	77,2	3,55	0,133
260,1	555					170		575	14312	78,4		
299,9	555						195	572	14361	80,7		
226,4	515	147						655	14363	75,7		
254,0	515		165					708	14438	77,7		
274,4	520			178				706	14439	79,1		
310,1	520				200			704	14473	80,9	2,37	0,089
330,5	520					214		702	14471	81,9		
377,4	525						244	698	14476	83,8		
294,8	970	202						867	13640	81,1		
328,4	1030		226					863	13612	82,7		
352,9	1085			243				860	13608	83,7		
393,7	1090				272			855	13588	85,1	1,42	0,054
418,2	1100					289		852	13556	85,8		
474,3	1110						330	844	13489	87,2		
393,7	1160	259						1123	14226	84,3		
437,6	1165		288					1116	14237	85,6		
469,2	1170			309				1111	14208	86,4		
521,2	1180				346			1102	14110	87,5	0,89	0,034
551,8	1185					367		1095	14070	88,1		
620,2	1205						418	1082	13895	89,3		
491,6	1095	323						1365	14226	86,7		
542,6	1105		359					1355	14147	87,7		
579,4	1110			385				1346	14077	88,4		
640,6	1125				430			1331	13945	89,3	0,60	0,023
676,3	1130					457		1322	13860	89,8		
755,8	1155						519	1298	13641	90,8		
598,7	985	398						1634	14102	88,5		
657,9	995		440					1615	13977	89,4		
699,7	1005			473				1601	13860	89,9		
769,1	1020				527			1575	13661	90,7	0,37	0,016
807,8	1030					559		1559	13518	91,1		
892,5	1060						635	1518	13174	91,9		
733,4	910	462						1979	14872	89,5		
801,7	920		512					1953	14680	90,3		
851,7	930			548				1932	14554	90,8		
931,3	950				610			1894	14284	91,5	0,31	0,011
975,1	965					648		1870	14098	91,9		
1072,0	995						735	1810	13649	92,6		
783,4	1285	526						2083	13951	90,9		
850,7	1310		581					2044	13709	91,5		
898,6	1330			623				2013	13494	91,9	0,23	0,009
973,1	1370				693			1958	13149	92,5		
1012,9	1390					734		1923	12911	92,8		

Field loss (hot) = 11485 W

IC06/17/37/86W



# Mounting and outline dimensions

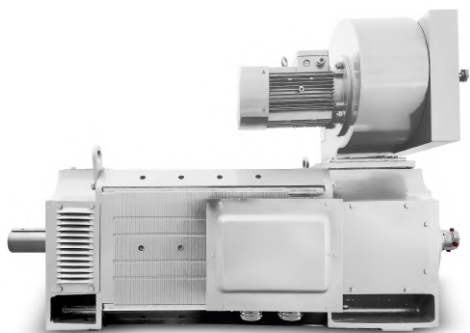


Frame	H	Shaft Extension details							Foot hole dimensions							Overall dimensions							Blower dimensions				
		D	F	G	GA	E	ED	Y	A	AA	AB	B	BA1	BA2	BB	C	HA	K	AD	HC	HD	X1	L	L1	K3	K6	G4
2GDC-100S											257			290								120	460	535			
2GDC-100M	100	28	8	24	31	60	50	M10X24	160	40	198	305	60	60	340	63	9	12	190	200	445	170	505	580	235	100	220
2GDC-100L											369			405								230	570	650			
2GDC-112S											340	100	60	420	70	10	12	220	222	470		230	585	655	235	100	220
2GDC-112M	112	38	10	33	41	80	70	M12X28	190	40	220	400			480							275	645	715			
2GDC-132S											320			425								175	640	710			
2GDC-132M	132	42	12	37	45	110	90	M16X32	216	45	258	370	125	75	475	89	11	12	245	260	545	225	690	760	240	100	255
2GDC-132L											430			535								285	750	820			
2GDC-160A											530			630								245	785	852			
2GDC-160S	160	60	18	53	64	140	125	M20X42	254	55	316	590	140	125	690	70	12	14	305	318	680	305	845	915	355	120	310
2GDC-160M											660			760								375	915	985			
2GDC-160L											750			850								465	1005	1075			
2GDC-180S	180	65	18	58	69	140	125	M20X40	279	65	360	600	110	130	730	121	14	15	350	360	740	370	1020	1085	475	185	350
2GDC-180M											670			800								440	1090	1155			
2GDC-200S	200	70	20	62.5	74.5	140	125	M20X40	318	80	400	645	120	185	815	133	18	19	370	400	780	390	1090	1160	475	185	350
2GDC-200M											725			895								470	1170	1240			
2GDC-225S	225	80	22	71	85	170	140	M20X40	356	85	450	735	140	200	925	149	18	19	430	450	980	475	1290	1355	550	215	430
2GDC-225M											825			1015								565	1380	1445			
2GDC-250S	250	90	25	81	95	170	140	M24X50	406	95	500	785	150	240	1015	168	22	24	455	500	1030	530	1420	1490	530	215	430
2GDC-250M											885			1115								630	1520	1590			
2GDC-280S	280	95	25	86	100	170	140	M24X50	457	100	560	850	160	230	1100	190	22	24	485	560	1090	585	1500	1565	530	215	430
2GDC-280M											960			1210								695	1610	1675			
2GDC-315S	315	100	28	90	106	210	170	M24X65	508	110	625	750	210	210	1004	216	26	28	510	635	1185	-	1490	1650	-	-	-
2GDC-315M											840			1094								-	1580	1740	-	-	-
2GDC-315L											930			1184								-	1670	1830	-	-	-

2GDC-355-450

On request





## Address

VYBO ELECTRIC a. s. | tel: +421 944 105 361  
Radlinského 18 | e-mail: mv@vyboelectric.eu  
052 01 Spišská Nová Ves  
Slovenská republika

[www.vyboelectric.com](http://www.vyboelectric.com)



SOLUTIONS FOR INDUSTRY

BUREAU VERITAS  
Certification



**VYBO Electric a.s.**  
Radlinského 18, 052 01 Spišská Nová Ves  
Slovak Republic

Bureau Veritas Certification Holding SAS – UK Branch certifies that the Management System of the above organisation has been audited and found to be in accordance with the requirements of the management system standards detailed below

### ISO 14001: 2015

Scope of certification

**MANUFACTURE AND SALE OF ELECTRIC MOTORS. SALES AND DEVELOPMENT OF VARIABLE FREQUENCY DRIVES.**

Original cycle start date: 18.05.2022  
Expiry date of previous cycle: N/A  
Certification Audit date: 31.03.2022  
Certification cycle start date: 18.05.2022

Subject to the continued satisfactory operation of the organization's Management System, this certificate expires on: 17.05.2025

Certificate No. SK-U22 055E Version: 1 Issue date: 18.05.2022

Certification body address: 5<sup>th</sup> Floor, 66 Prescot Street, London E1 8HQ, United Kingdom  
Local office: Plynárskeho 7/B, BRATISLAVA 821 09, Slovak Republic



Further clarifications regarding the scope of this certificate and the applicability of the management system requirements may be obtained by consulting the organisation. To check this certificate validity please call: +421 2 5341 4165

Page 1 of 1



Bureau Veritas Certification

### Certificate

Awarded to

**VYBO Electric a.s.**  
Radlinského 18, 052 01 Spišská Nová Ves  
Slovak Republic

BUREAU VERITAS CERTIFICATION (Z) s.r.o. certifies that the Management System of the above organisation has been assessed and found to be in accordance with the requirements of the management system standard detailed below

Standard  
**ISO 45001:2018**

Scope of supply

**MANUFACTURE AND SALE OF ELECTRIC MOTORS. SALES AND DEVELOPMENT OF VARIABLE FREQUENCY DRIVES.**

Original Approval Date: 18-05-2022  
Expiry date of previous cycle: N/A  
Certification Cycle Start Date: 18-05-2022  
Certification Cycle End Date: 17-05-2025  
Subject to the continued satisfactory operation of the organisation's Management System, this certificate is valid until: 17-05-2025

To check this certificate validity please call: +420 210 098 215

Further clarifications regarding the scope of this certificate and the applicability of the management system requirements may be obtained by consulting the organisation.

Version 1 Issue Date: 18-05-2022  
Certificate Number: CZF - 2200117

MANAGING OFFICE: BUREAU VERITAS CERTIFICATION (Z) s.r.o., Obchodní 1, 116 09 Praha 4, Czech Republic  
ISSUING OFFICE ADDRESS: BUREAU VERITAS CERTIFICATION (Z) s.r.o., Obchodní 1, 143 02 Praha 4, Czech Republic

1/1

ZERTIFIKAT ◆ CERTIFICATE ◆ 認證證書 ◆ CERTIFICADO ◆ CERTIFICAT



# CERTIFICATE

**TÜV SÜD Slovakia s.r.o.**  
Certification Body for Management Systems  
Accredited by SNAS  
Certificate on accreditation No. Q-011  
certifies that



**VYBO Electric a.s.**  
Radlinského 18  
SK – 052 01 Spišská Nová Ves  
IČO: 45 537 143

has established and applies  
a Quality Management System for

**Manufacture and sale of electric motors.  
Sales and development of variable frequency drives.**

An audit was performed, Report No. 2264/40/22/Q/AS/C  
Proof has been furnished that the requirements  
according to

**STN EN ISO 9001:2016**

are fulfilled. The certificate is valid from 2022-04-14 until 2025-04-13  
Certificate Registration No. Q 2264-1

Bratislava, 2022-04-14

TÜV SÜD Slovakia s.r.o.  
Certification Body for Management Systems  
Member of Group TÜV SÜD  
Jaskóvka 6, 821 03 Bratislava

F-Q-019/26

Certificate SK22/3701

The management system of

**VYBO Electric a.s.**  
Radlinského 18  
052 01 Spišská Nová Ves, Slovakia

has been assessed and certified as meeting the requirements of

**EN ISO 50001:2018**

For the following activities

**Production & sales of electric motors.  
Sales & development of variable frequency drives.**

Further clarifications regarding the scope of this certificate and the applicability of EN ISO 50001:2018 requirements may be obtained by consulting the organisation.

This certificate is valid from 7 April 2022 until 6 April 2025  
and remains valid subject to satisfactory surveillance audits.  
Recertification audit due a minimum of 60 days  
before the expiration date.  
Issue 1. Certified with SGS since 7 April 2022

Authorised by

Ing. Róbert Bodnár  
Director

SGS Slovakia spol. s r. o.  
Klyučská 14, 040 11 Košice, Slovakia  
t +421 55 783 61 11, f +421 55 783 61 20, www.sgs.com

Page 1 of 1



This document is issued by the Company subject to its General Conditions of Certification. Services accessible at [www.sgs.com](http://www.sgs.com) and conditions. Attention is drawn to the limitations of liability, indemnification and jurisdictional issues established therein. The authenticity of this document may be verified at <http://www.sgs.com/certificates/certificate>. Any unauthorized alteration, forgery or falsification of the content or appearance of this document is unlawful and offences may be prosecuted to the fullest extent of the law.